

WineRacks.com

Phone  
888.687.2517

Fax  
845.658.5309

# ASSEMBLY INSTRUCTIONS

## RETAIL / CELLAR RACKING

DWG. 10012

### Bin Display Merchandiser Assembly Instructions

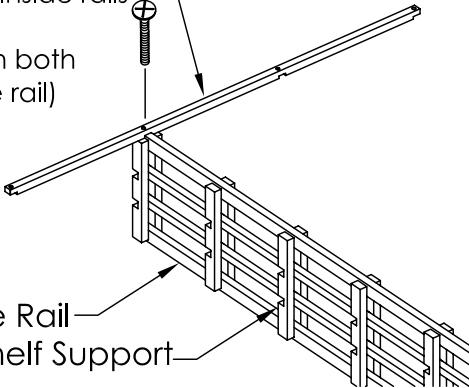
Assemble the rack on the floor by attaching a notched spacer bar flush to the top of an inside rail. (inside rails have shelf supports on both sides of the rail)

1

Notched Spacer Bar

Inside Rail

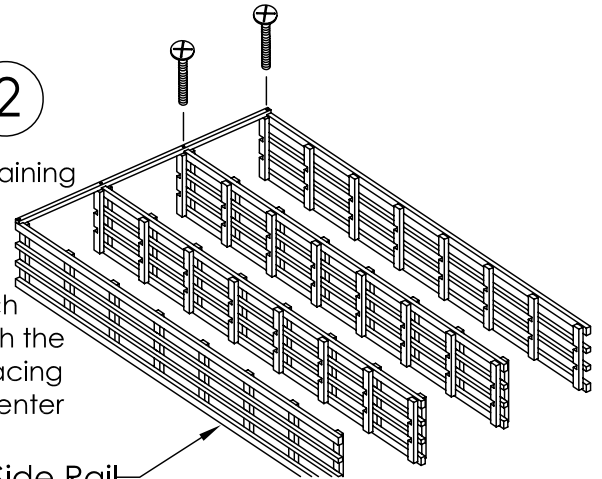
Shelf Support



2

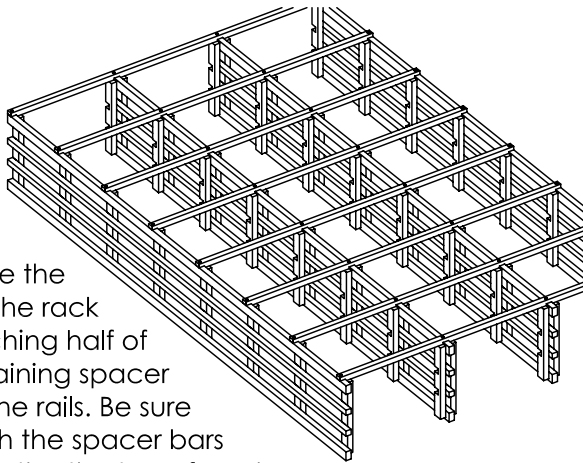
Attach the remaining rails flush to the top of this spacer bar. Be sure to attach the side rails with the shelf supports facing in toward the center of the rack.

Side Rail



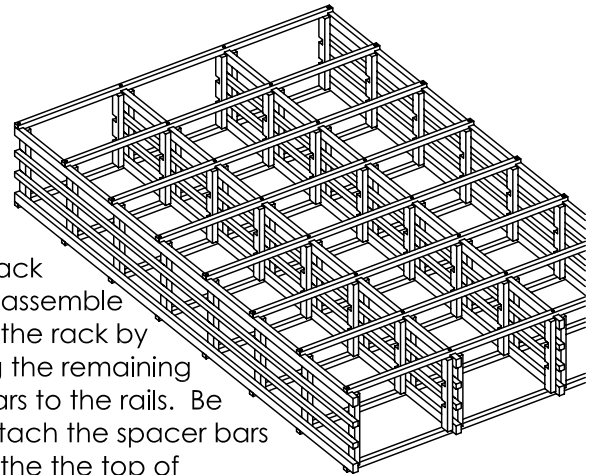
3

Assemble the front of the rack by attaching half of the remaining spacer bars to the rails. Be sure to attach the spacer bars flush with the top of each shelf support. (notches up)



4

Turn the rack over and assemble the back the rack by attaching the remaining spacer bars to the rails. Be sure to attach the spacer bars flush with the top of each shelf support. (notches up)



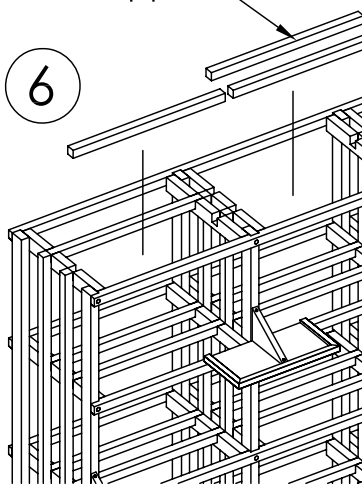
5

Attach the display shelves to the rails and spacer bars along the tops of every other spacer bar. (Single shelves on the sides, doubles in the middle)

$\frac{3}{4} \times \frac{3}{4}$  Bottle Support

Stand the rack upright and slide in all of the  $\frac{3}{4} \times \frac{3}{4}$  bottle supports into the notches in each of the shelf supports.

6



7

Finished Assembly

