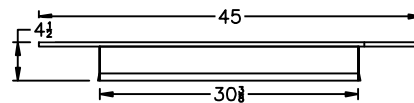
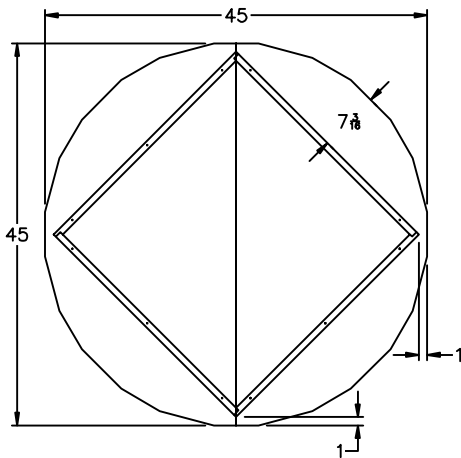


WineRacks.com
 Phone
 888.687.2517
 Fax 845.658.5309

6_6-203-4500-0004-S



Packed By:	
____(2) RAIL	3/4" x 4 1/4" x 29 5/8"
____(2) END	3/4" x 4 1/4" x 30 3/8"
____(2) TOP	1/2" x 22 1/2" x 45"
____(1) VINYL BASE TRIM	4" x 130"
____(36) SCREWS,, #2 x 1 1/4", Phillips or Square Drive	
____ (X) Assembly Instructions	