

VineRacks.com

Phone 888.687.2517

Fax 845.658.5309

ASSEMBLY INSTRUCTIONS

RETAIL / CELLAR RACKING

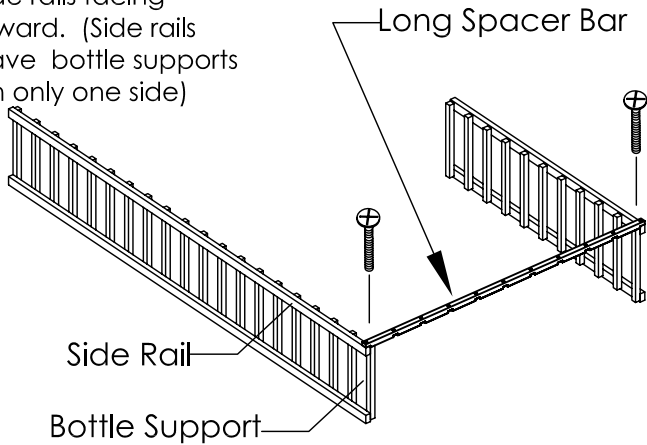
Waterfall Racking Assembly Instructions

DWG. 10011

Note: Custom racks are to be nailed together instead of screws unless otherwise specified. 1 1/4" to 1 1/2" long 18ga. brad nails to be supplied by customer. Use of a nail gun is recommended.

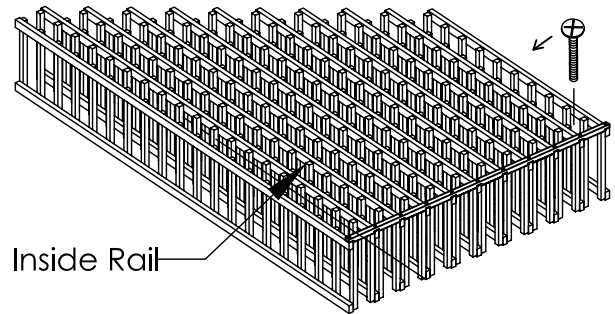
Assemble the rack on the floor by attaching one of the long spacer bars flush with the bottom of the (2) side rails facing inward. (Side rails have bottle supports on only one side)

1



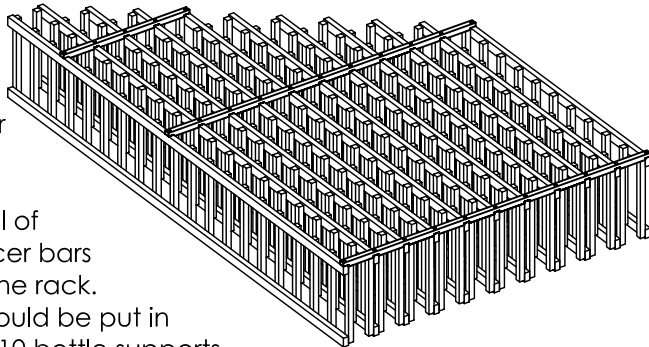
2

Attach the remaining rails in order to this spacer bar. Be sure to attach the spacer bar flush with the bottom row of bottle supports.



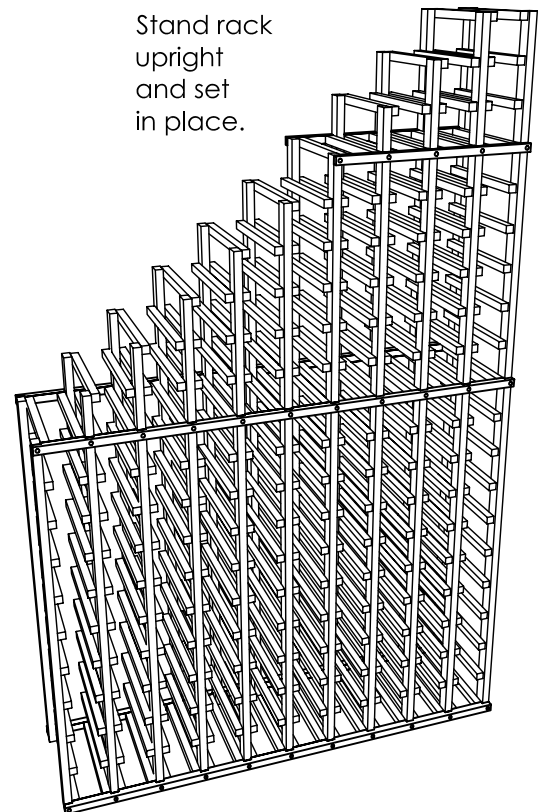
3

Attach the middle (if any) and top spacer bars to this side of the rack. Only use a total of half of the spacer bars on this side of the rack. Spacer bars should be put in place about 8-10 bottle supports. Be sure to attach them flush in front of the bottle supports.



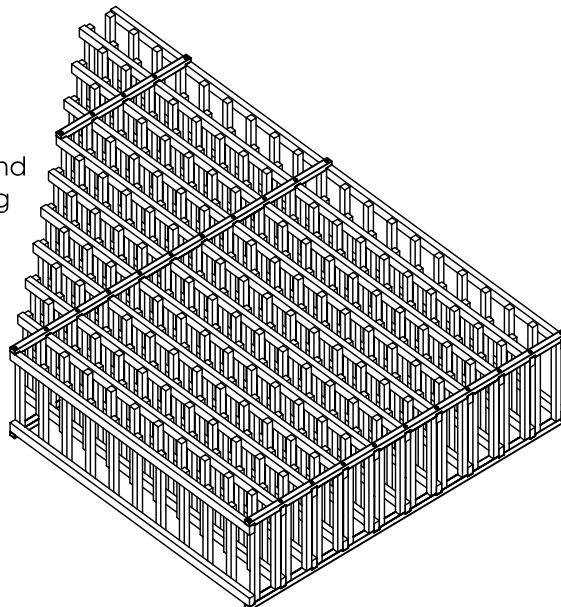
5

Stand rack upright and set in place.



4

Turn the rack over and attach the remaining spacer bars to the rack directly across from the spacer bars on the other side. Be sure to attach them flush with the bottle supports.



Finished Assembly