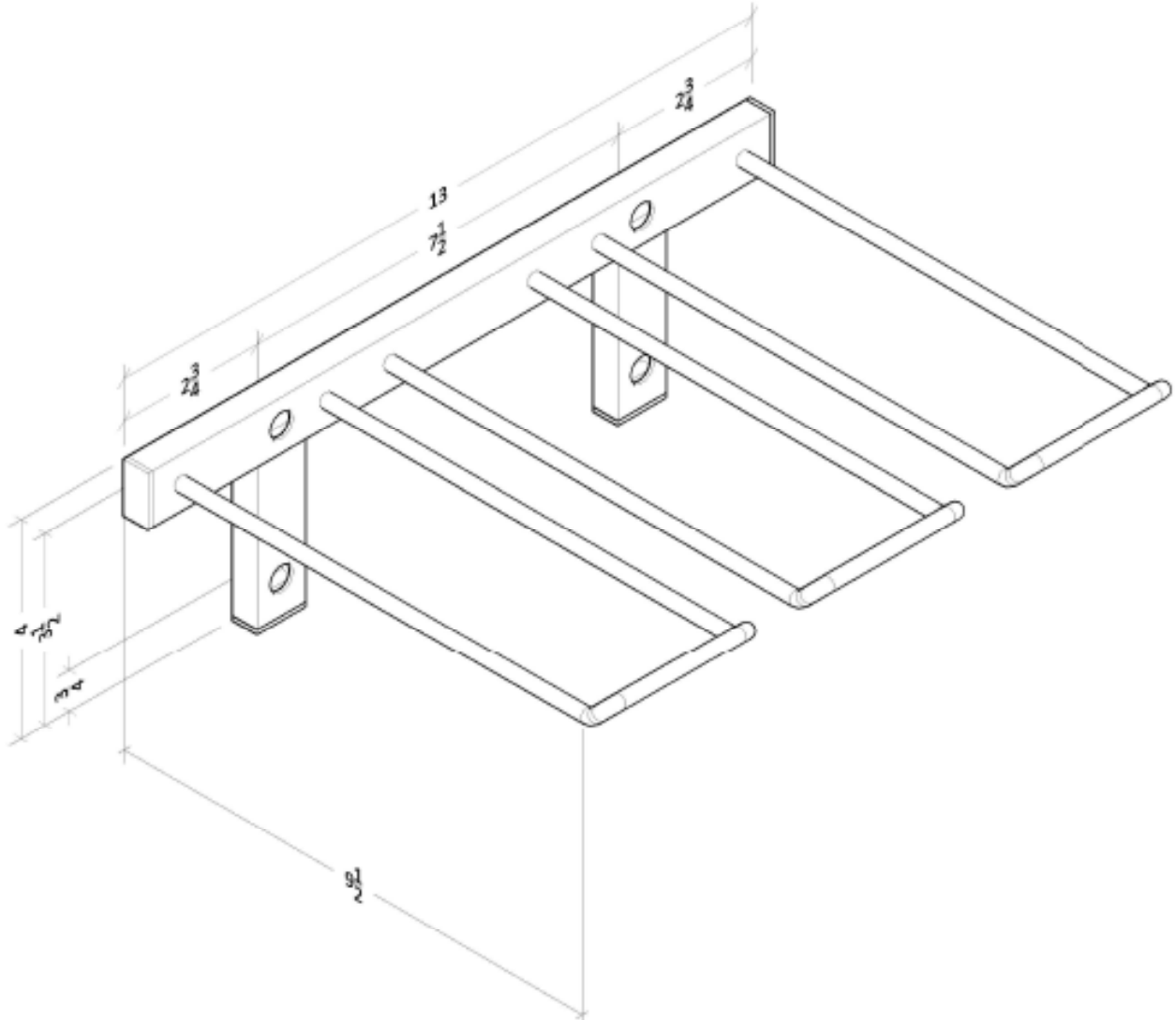


# W Series Stemware Rack

(WS-SR-2D) Spec Sheet



The Stemware Rack holds 4 wine glasses, 4 3/8" diameter. When coupled together, an additional row of storage is added, increasing capacity by 2 glasses per section.



VINTAGEVIEW®  
MOVING WINE STORAGE FORWARD

Note: A minimum of 1 inch above the rack and 12 inches down from the top of the rack are recommended clearances, but may vary by the height of the stemware stored.