

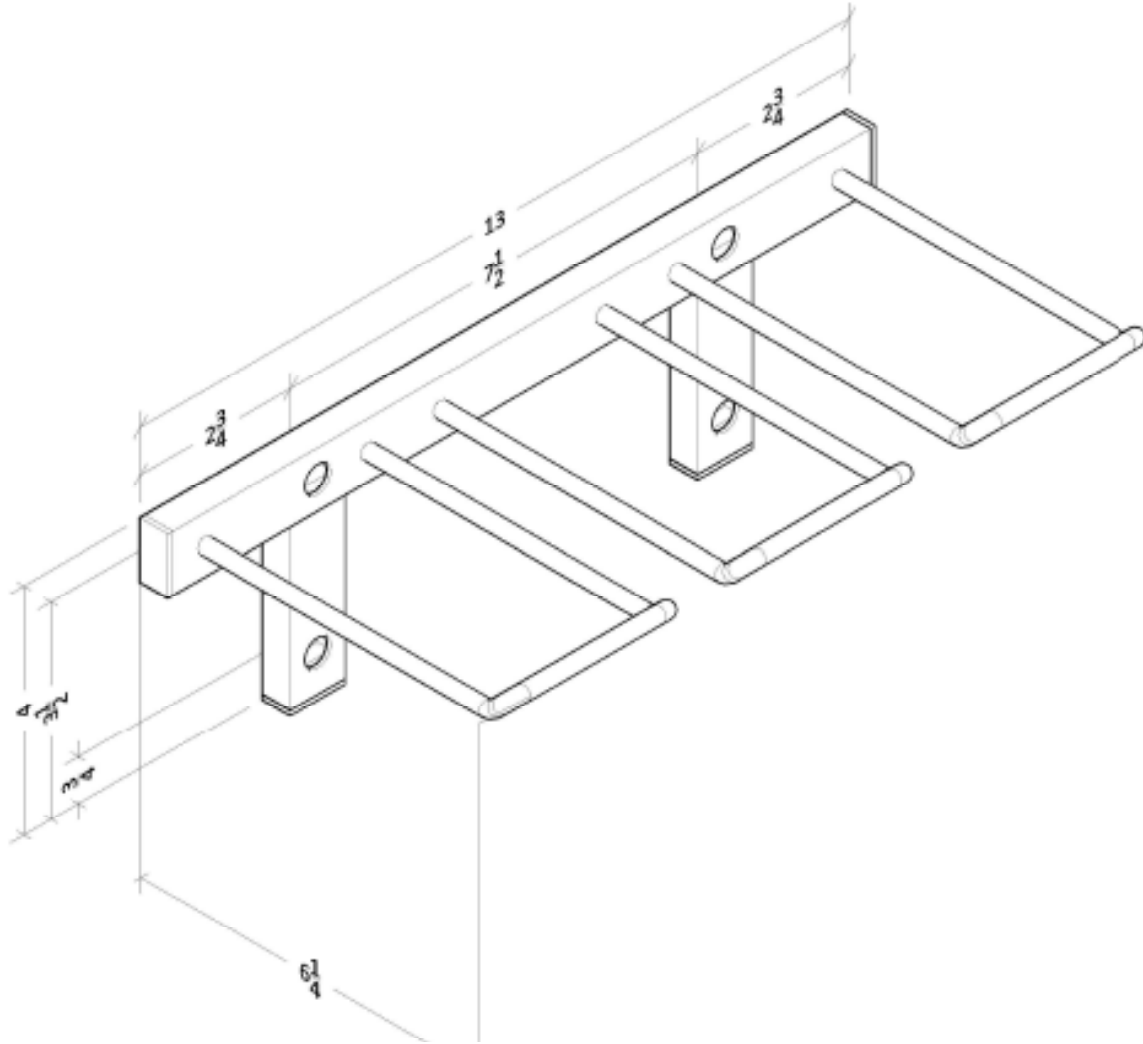
# W Series Stemware Rack

(WS-SR-1D) Spec Sheet



The Stemware Rack holds 2 wine glasses.

When coupled together, an additional row of storage is added, increasing capacity by 1 glass per section.



**VINTAGEVIEW®**  
MOVING WINE STORAGE FORWARD

Note: A minimum of 1 inch above the rack and 12 inches down from the top of the rack are recommended clearances, but may vary by the height of the stemware stored.