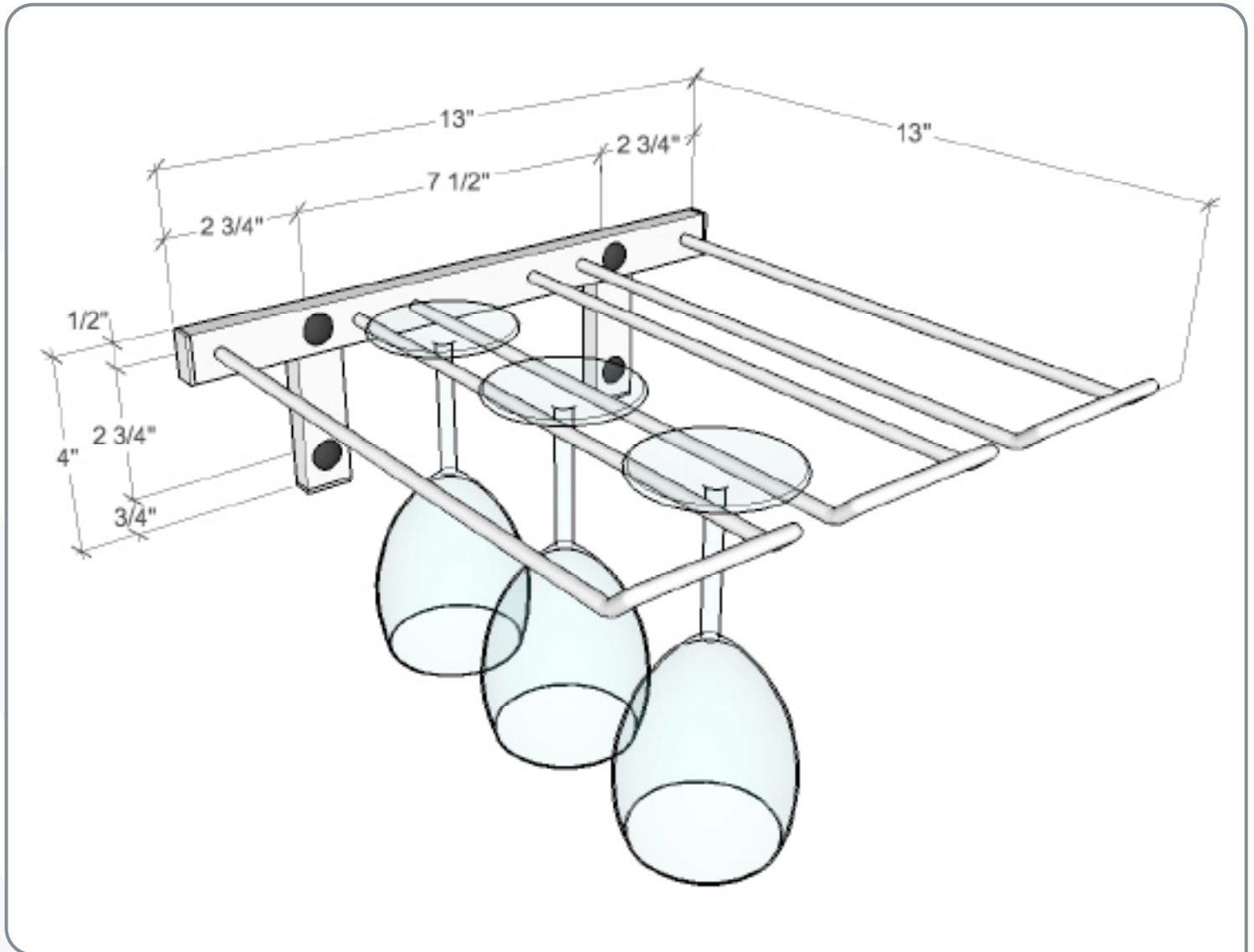


# W Series Stemware Rack

(WS-SR) Spec Sheet



Capacity of an individual WS-SR is 6 stemware glasses, up to 4 3/8" diameter. When coupled together, each additional rack provides storage for 3 additional stemware glasses.



VINTAGEVIEW®  
MOVING WINE STORAGE FORWARD

Note: A minimum of 1 inch above the rack and 12 inches down from the top of the rack are recommended clearances, but may vary by the height of the stemware stored.