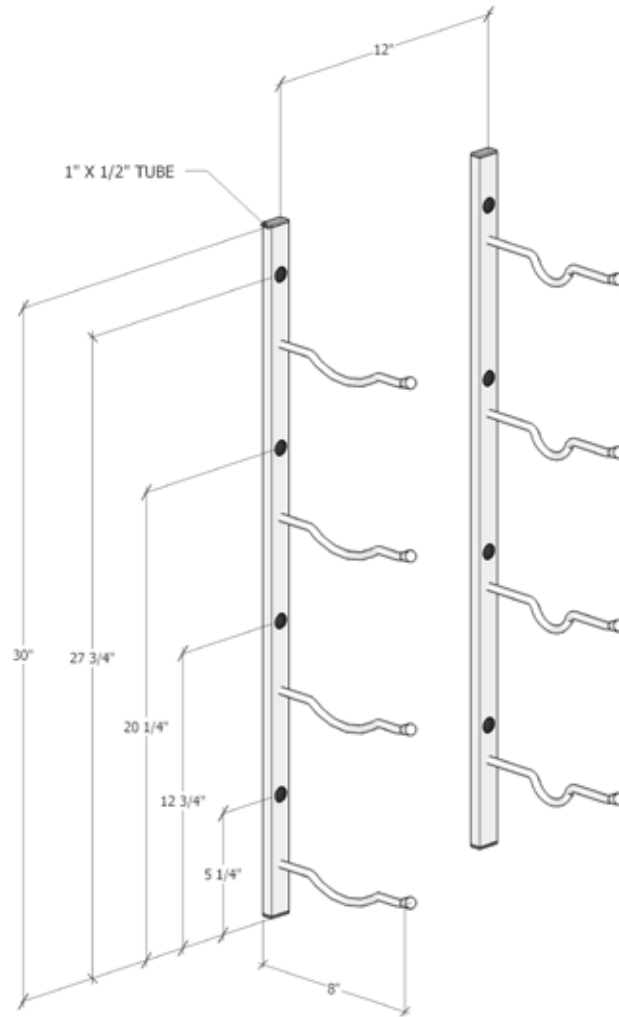


W Series Big 1

Spec sheet for WS-Big1 , 4-bottle wine rack



The W Series Big 1 holds 4 3L or 6L wine bottles. Increase spacing to 13.25" for 6L bottles.



VINTAGEVIEW®
MOVING WINE STORAGE FORWARD