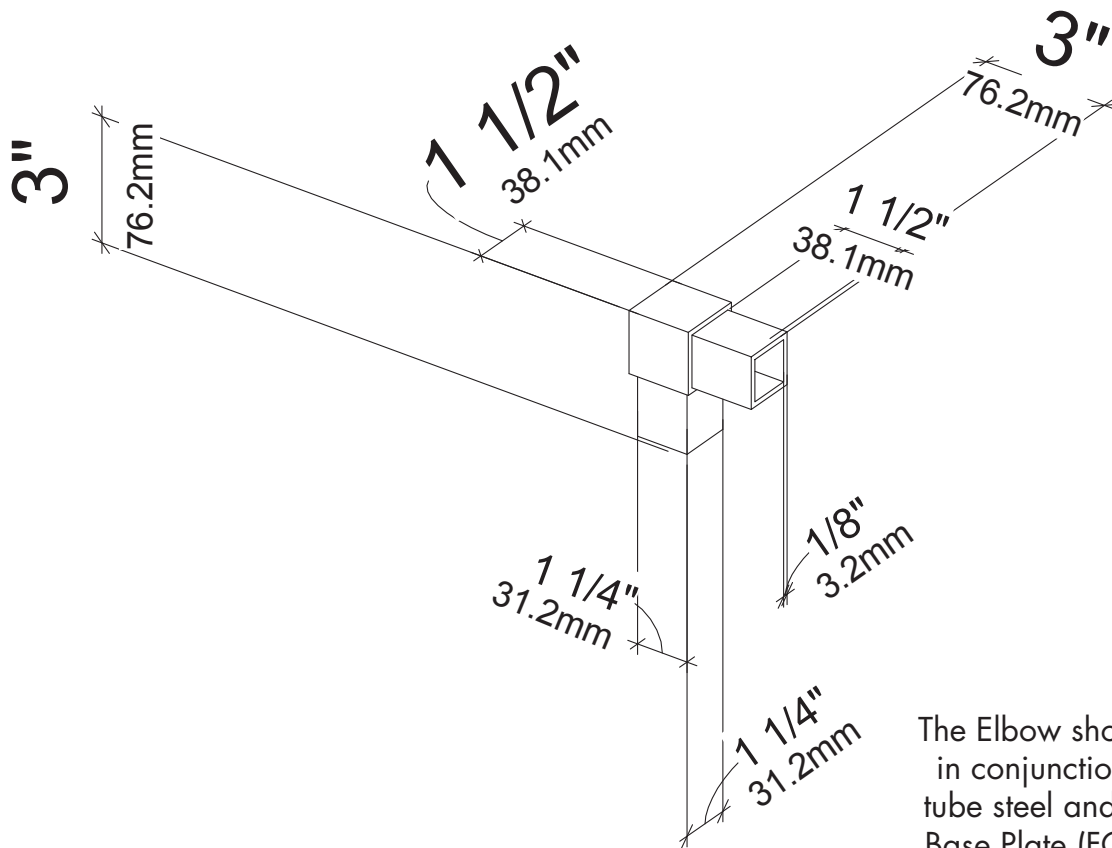


W Series Frame Elbow

Spec sheet for W Series Frame Elbow (FCF-ELBOW)



The Elbow should be used in conjunction with 1x1 tube steel and an Hidden Base Plate (FCF-HIDDEN) to offset a W Series Frame up to 12" from the wall.



VINTAGEVIEW[®]
MOVING WINE STORAGE FORWARD