

Vino Rails Design Kit 3 Layout

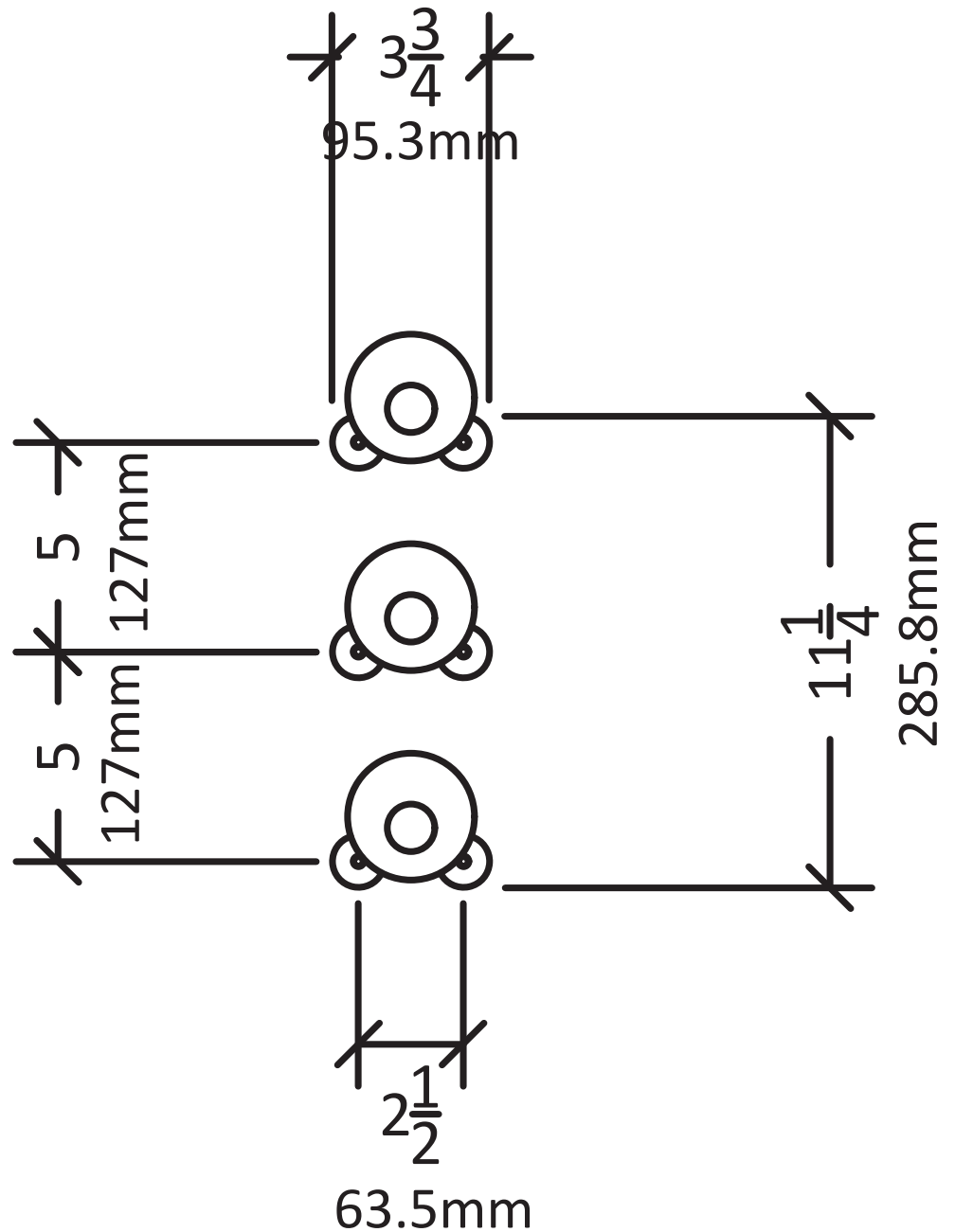
Recommended layout/Specs for Vino Rails Design Kit (VRC-DESIGN-3)



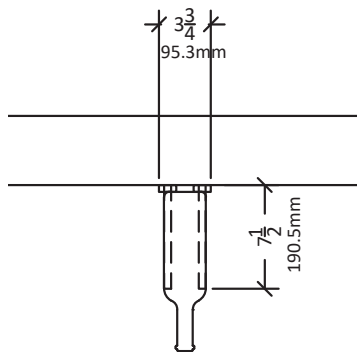
SCAN FOR **BILT**. 3D INSTRUCTIONS



POWERED BY **BILT** INTELLIGENT INSTRUCTIONS®



Please **account for 13" in total depth** with wine bottle stored.



VINTAGEVIEW®
MOVING WINE STORAGE FORWARD