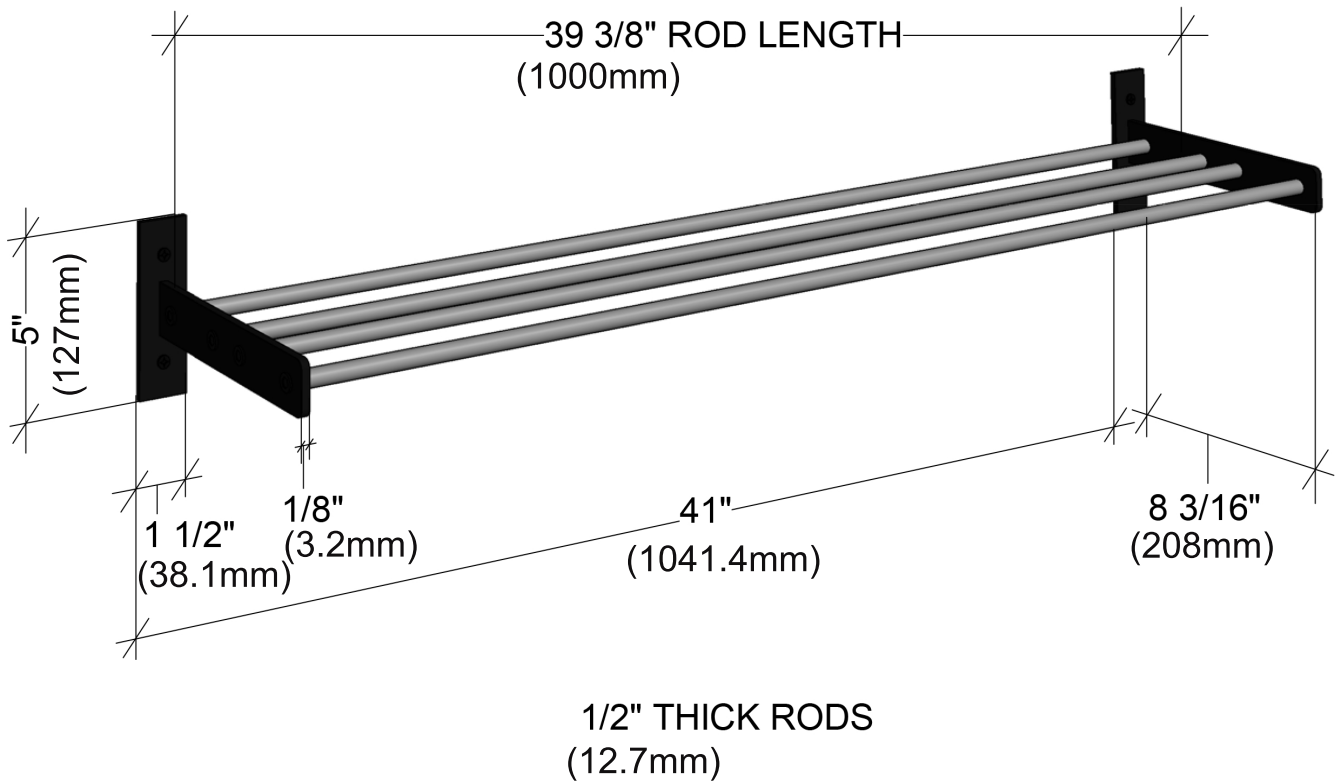


Evolution Wine Wall 5"

Spec Sheet for (WW-052)



VINTAGEVIEW®
MOVING WINE STORAGE FORWARD