

# Vino Series Flex

Installation Instructions for Vino Series Flex (SKUTKTKTKT)



## Parts List

- (2) Backer Strips (unique neck and base for Vino Pins)
- (6) mounting hole caps
- (2) Plastic couplers
- (4) spiral drywall anchors
- (6) screws
- (2) toggle bolts
- (18) Vino Series screws

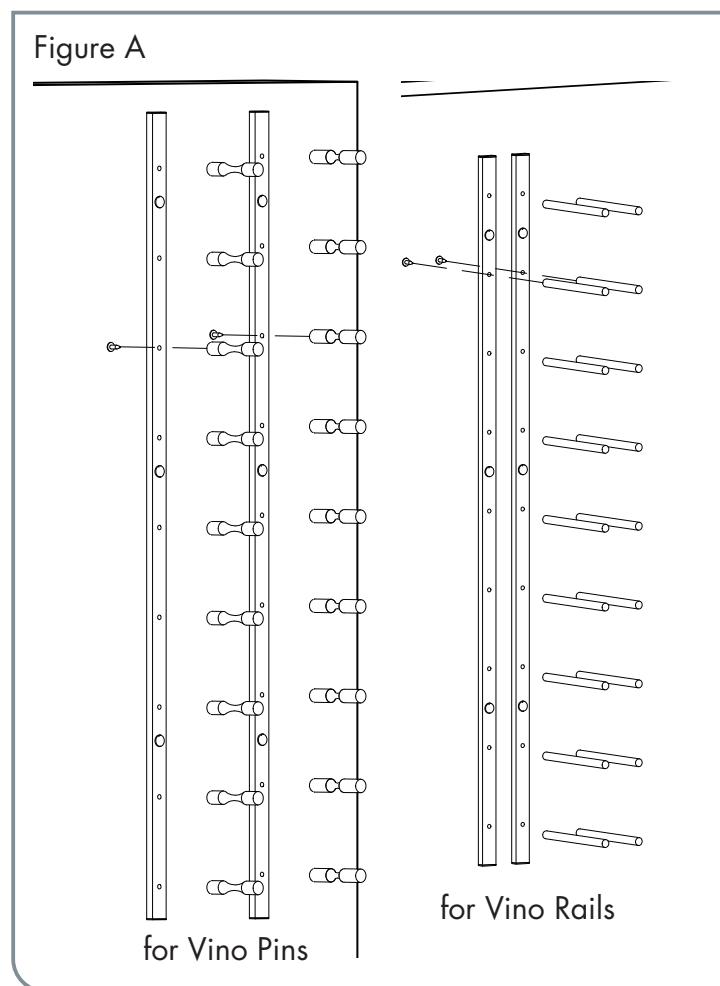
## Required Tools

- Phillips head screw driver
- Level
- Pencil
- Tape measure
- Drill
- Handy friend (always helps)

**Important Note:** These installation instructions are only for attaching the Vino Series Flex (for Pins or Rails) mounting system into solid wood, plywood surface, or drywall with a minimum thickness of ½ inches (12.7mm).

## 1. Identify Neck and Base Pieces (Pins option only):

The neck piece of the Vino Pins features a narrower divot and corresponds to the Backer Strip with the higher of the offset wine rack mounting holes.



## 2. Assemble Pins/Rails to Strip

Insert one Vino Series screw through the back of either the Base or Neck strip and thread the first Vino Pin or Rail until tight against the surface of the strip. Repeat until all Pins or Rails are attached.

## 3. Choose Bottle Direction (Pins option only)

Decide if you want the necks of the bottles facing left or right then identify the neck strip (the one with the assembled Pins offset upward).

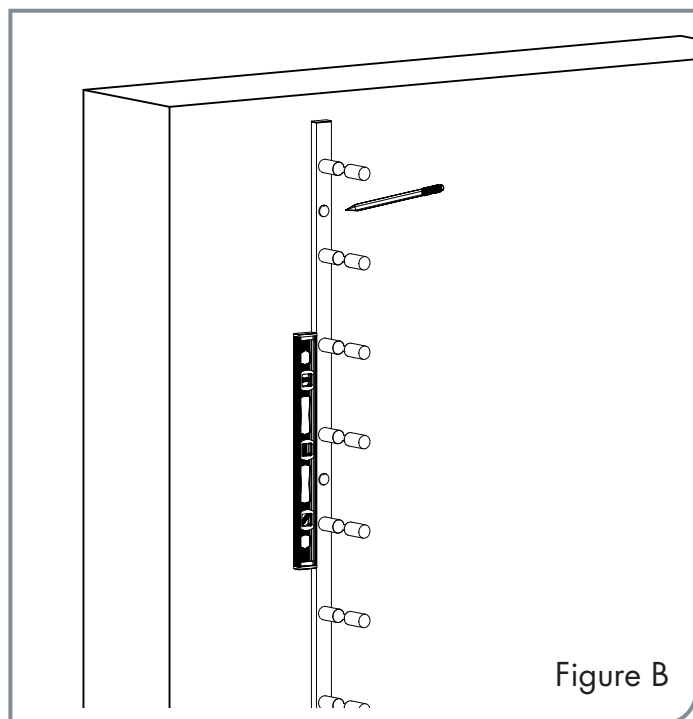
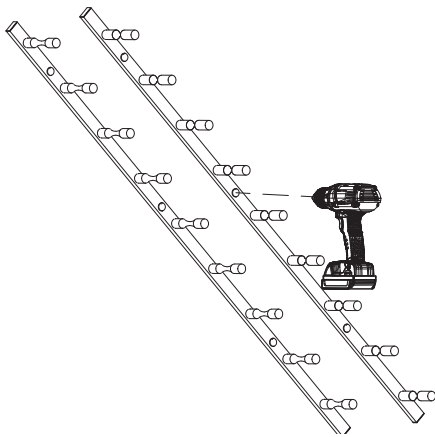




Figure C



## 4. Lay out Wall

Starting at least 2 3/4" (70mm) from adjacent wall or other obstructions, mark the centerline of the first Backer Strip. From there, measure 7 1/2" (190.5mm) for Pins and 2 1/2" for Rails (63.5mm) to centerline of the second Backer Strip.

## 5. Mark Mounting Hole Locations:

Hold one Backer Strip (careful to note if it's the Base or Neck for Vino Pins options) in place against the wall, centered on the first mark at your preferred distance from floor. Ensure the Strip is plum using a level and mark hole locations with a pencil (Figure B). Backer Strips can be installed on angles up to 45 degrees (figure C).

Set strip aside.

*PRO TIP: When installing Flex at an angle, the tops of the Backer Strips will not remain flush. For Vino Pins, ensure the Pins on the Neck side are offset 5/8" above the Base side. For Vino Rails, ensure the Rails remain level.*

## 6. Check for Wood Studs

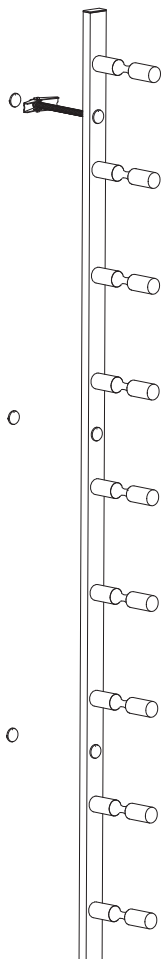
Drill 1/16" (1.5mm) pilot holes at marked locations to check for studs or wood backing.

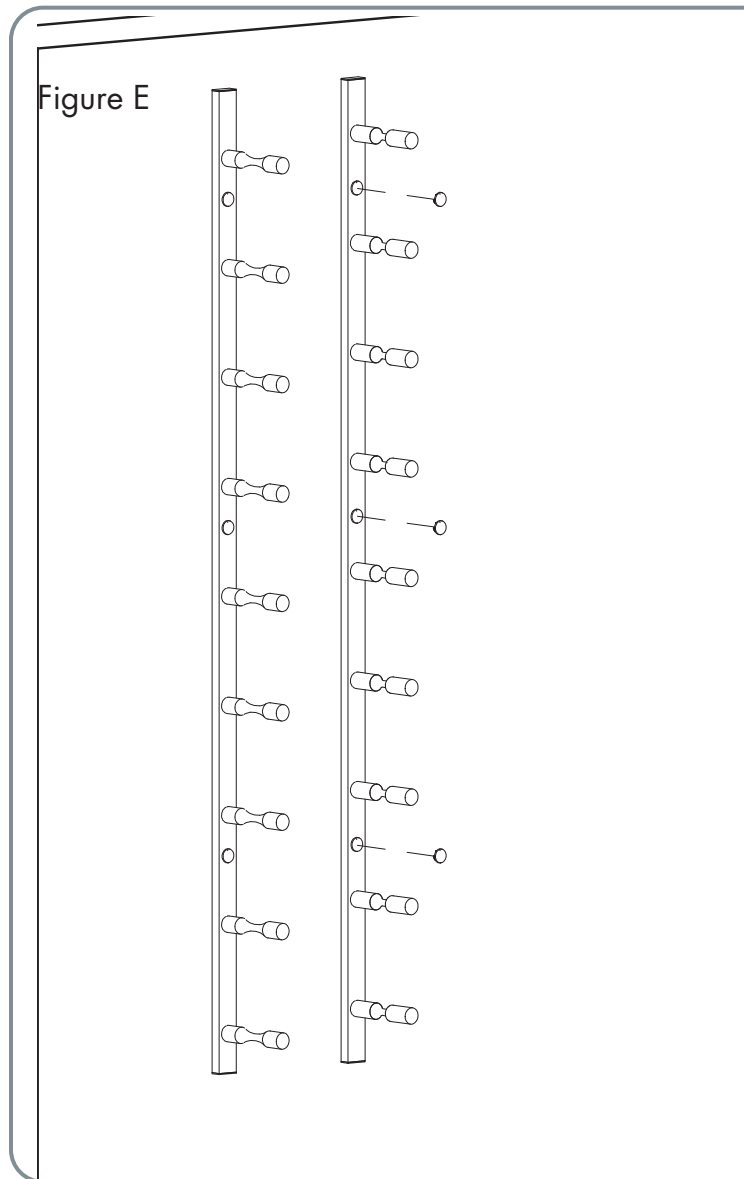
## 7. Drill Mounting Holes

**If Drywall:** For the lower two holes use a Phillip's head screw driver to insert spiral drywall anchors into wall until it is flush with the surface. For the top mounting point, drill a 13/23" (10.3mm) hole for toggle bolt.

**If wood or stud:** Skip to next step.

Figure D





## 8. Hang the Backer Strip

**If drywall**, remove the expanding nut from toggle bolt and insert through the top mounting hole on your Backer Strip.

With the wings of the nut oriented to fold toward the bolt head, thread the expanding nut onto the bolt so the tip of it starts to protrude from the end of the nut.

Hold the strip so the toggle bolt aligns with the top mounting and gently push the nut through the wall (Figure D). Ensure the wings have fully expanded on the backside of the wall and gently tighten, verifying the necks remain level. Secure the rest of the strip through the bottom two mounting holes with provided screws. Fully tighten the toggle bolt.

**If wood**, use provided screws and install the Backer Strip to the wall at the marked mounting hole locations.

## 9. Hang the Next Backer Strip

Repeat steps 5-8 with the second Backer Strip, centering it horizontally with the second mark on your wall from Step 4 and ensuring the tops of the strips even with each other.

## 10. Install Mounting Hole Caps

Press supplied mounting hole caps into the open holes of the face of each Backer Strip.

## 11. Add wine

Only the good stuff.

### Maintenance and Care:

Vino Series wine racks are backed by a lifetime warranty. They should be regularly checked for tightness. Should any piece to be found to be loose, tighten by hand until secure. If the face of the wall surface shows signs of breakage, discontinue use immediately until the wall may be adequately repaired. Vino Series products may be cleaned with a damp cloth and mild dish soap — abrasive pads or steel wool should NOT be used as they will damage the finished surfaces of the parts.

Need more help? Visit [VintageView.com](http://VintageView.com)

