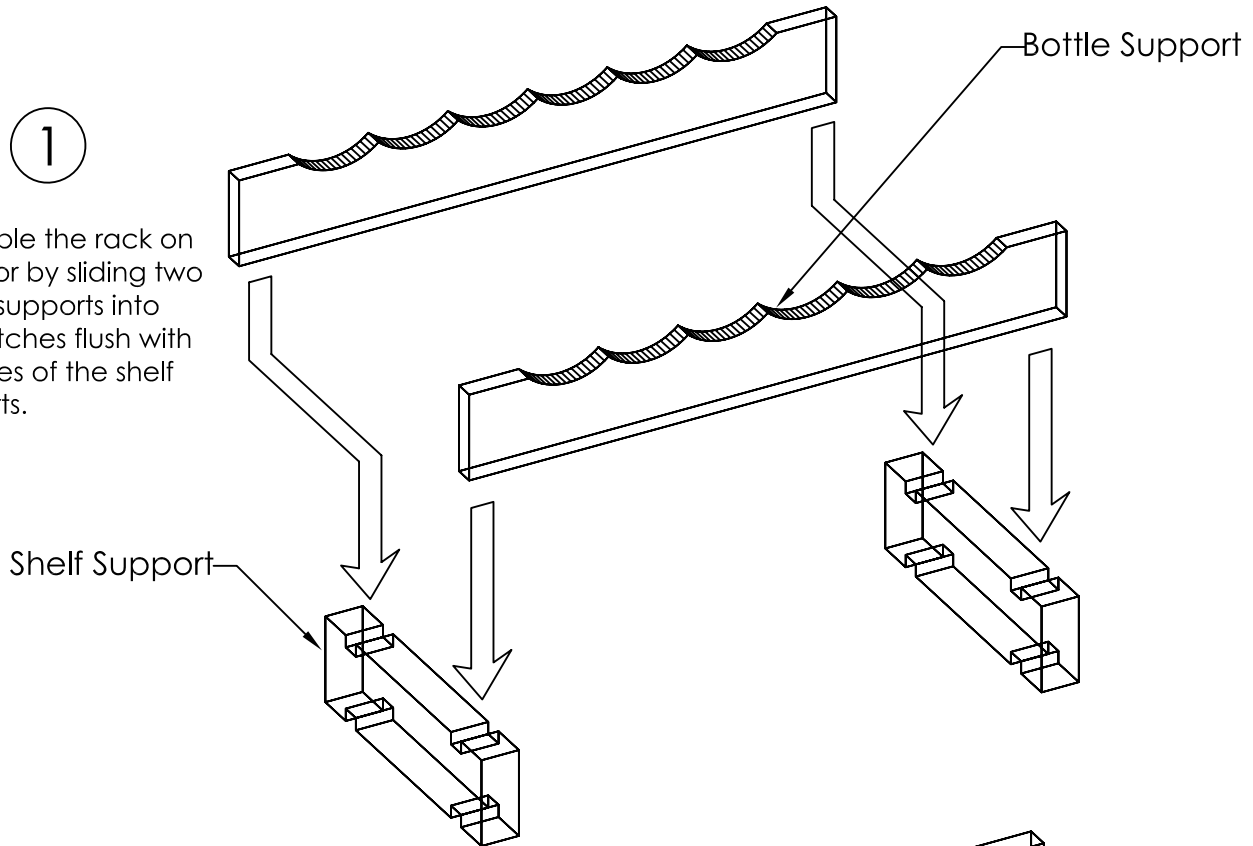


Stackable Rack Assembly Instructions

1

Assemble the rack on the floor by sliding two bottle supports into the notches flush with the sides of the shelf supports.



2

Continue to stack the shelves into the notches.

