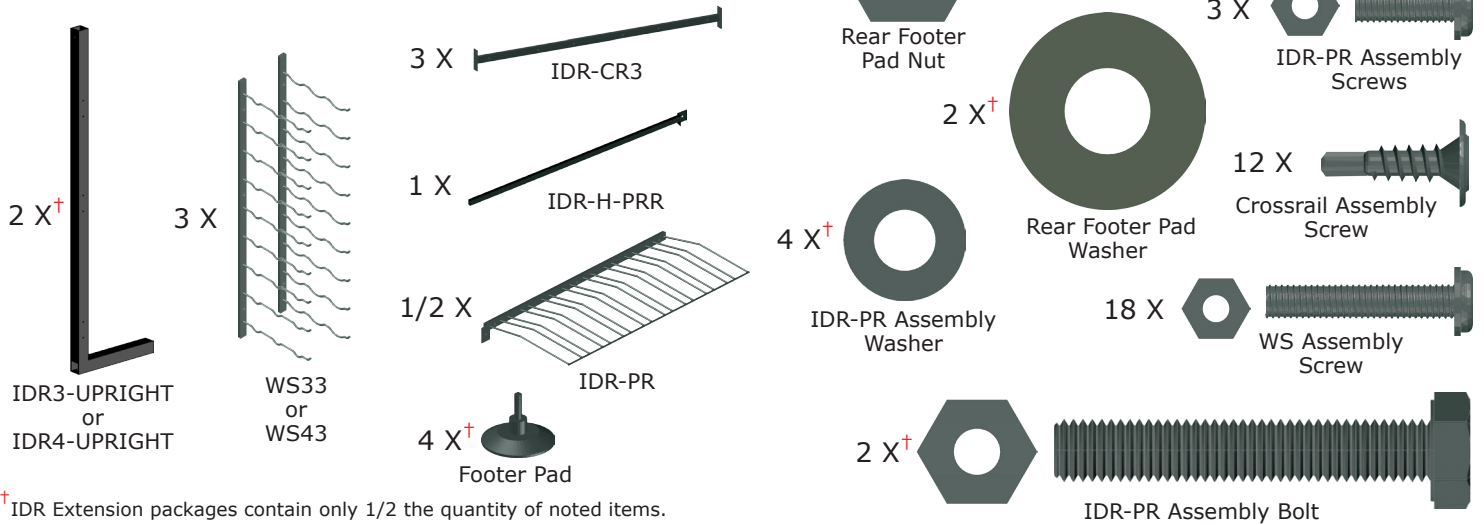


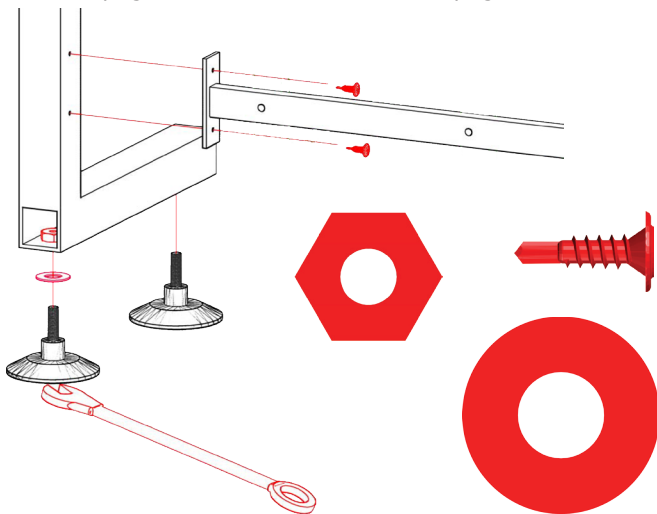


Single-Sided/Half Island Display Rack (IDRx-H) Assembly Instructions

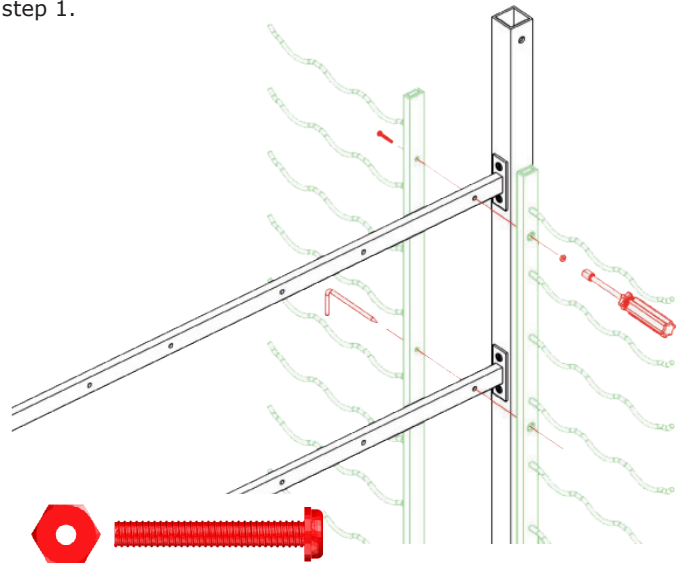
Required tools: IDR-AK - included with IDR and contains an 8mm Nut Driver and Alignment Tool
Electric Screw Driver with #2 Phillips Bit
2 X 14mm (or adjustable) Wrench



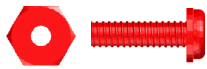
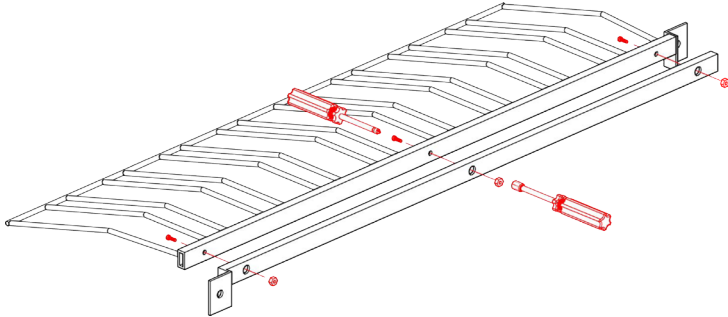
1. **Assemble frame** - Thread footer pads into the front-bottom of the uprights. For the rear footer pads, place a rear footer pad washer over the shaft of a footer pad. Insert and hold a rear footer pad nut inside the tube, aligned with the pre-drilled hole, and thread the footer pad into the nut. Tighten all of the footer pads with a 14mm wrench. Lay down one upright and attach all three crossrails using the provided crossrail assembly screws in the predrilled mounting holes. Do not fully tighten at this point to allow for adjustments during assembly. Stand up the first upright and attach the second upright to crossrails.



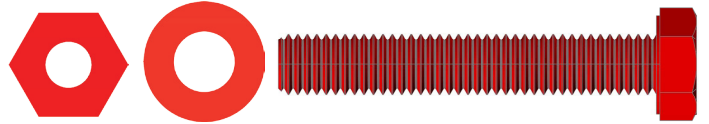
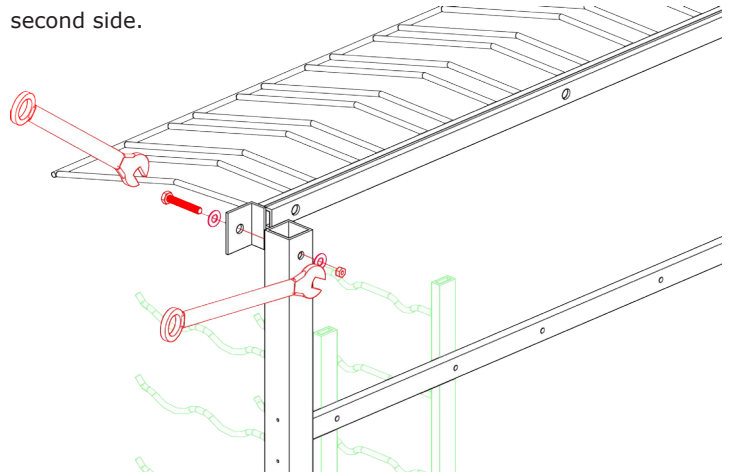
2. **Attach racks to frame** - Using a base cradling rack, and starting on the left side of the assembled frame, align the mounting holes in racks with the holes on crossrails. Temporarily place alignment tool through center hole in first rack and crossrail as shown. After securing top and bottom of the rack with the provided WS Assembly Screws, remove alignment tool and replace with WS Assembly Screw. Repeat for each rack set, alternating between base and neck racks. Fully tighten cross rail assembly screws from step 1.



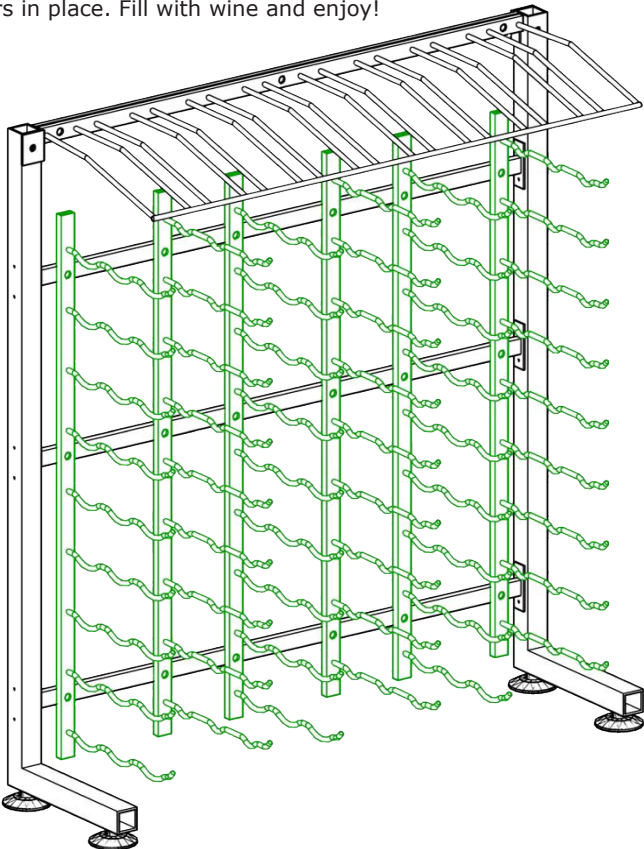
3. Assemble presentation rack – Position presentation rack (IDR-PR) piece and presentation rack rail (IDR-H-PRR) back to back as shown. Using the nut driver (included) and a Phillips head screwdriver, fasten the presentation rack and rail together with IDR-PR assembly screws. Fully tighten.



4. Mount presentation rack to frame – Align the presentation rack mounting plate with the mounting hole on upright. Using an IDR-PR assembly bolt and washer, insert the bolt through presentation rack and upright, complete with second washer, and nut. Tighten with two 14mm open end wrenches (do not overtighten as this may deform the upright tube). Repeat for the second side.



5. Finishing steps – Ensure all screws and bolts are fully tightened (especially Crossrail Assembly Screws) and snap mounting hole covers in place. Fill with wine and enjoy!



Lifetime Warranty

Wine Master Cellars, LLLP (WMC) warrants to the original consumer-purchaser that this product shall be free from defects in workmanship and materials under normal and reasonable use for the lifetime of the product. WMC will, at its option, refinish or replace any product or part found to be defective during the warranty period and excludes installation charges, shipping costs, and the cost of removal and reinstallation. WMC may require you to return the part(s) claimed to be defective, for its inspection - freight or postage prepaid.

This warranty does not include the cost of any inconvenience or property damage due to the failure of the product and does not cover damage due to Devine Act, third party act out of the control of WMC, misuse, abuse, accident, or damage arising out of transportation of this product. **THIS WARRANTY IS EXCLUSIVE AND IN LIEU OF ALL OTHER OBLIGATIONS, LIABILITIES OR WARRANTIES AND THERE IS NO WARRANTY OF MERCHANTABILITY OR FITNESS FOR A PARTICULAR PURPOSE.**

In no event shall WMC be liable or responsible for INCIDENTAL OR CONSEQUENTIAL DAMAGES or for any other direct or indirect damage, loss, cost, expense, or fee. Neither the WMC distributor nor the retail establishment selling this product has any authority to make any warranties or to promise remedies in addition to or inconsistent with those stated above. WMC's maximum liability, in any event, shall not exceed the purchase price of the product paid by the original consumer-purchaser.

All matters regarding the sale of the product or this warranty shall be governed by the laws of the state of Colorado and the exclusive jurisdiction of and venue for any warranty claims or claims directly or indirectly related to the sale of the product shall be Colorado. Any claim, or action relating the purchase of the product or this warranty must be filed no more than six (6) months after the date the claim arose. All statute of limitations to the contrary are waived.

Some states do not allow the exclusion or limitation of incidental or consequential damages. In such case, the above limitations or exclusions may not be applicable. This warranty gives you specific legal rights and you may also have other rights which vary from state to state.

Please call us toll free at 866-650-1500 for assembly assistance or to request replacement parts.

VintageView.com