

WineRacks.com

Phone
888.687.2517

Fax
845.658.5309

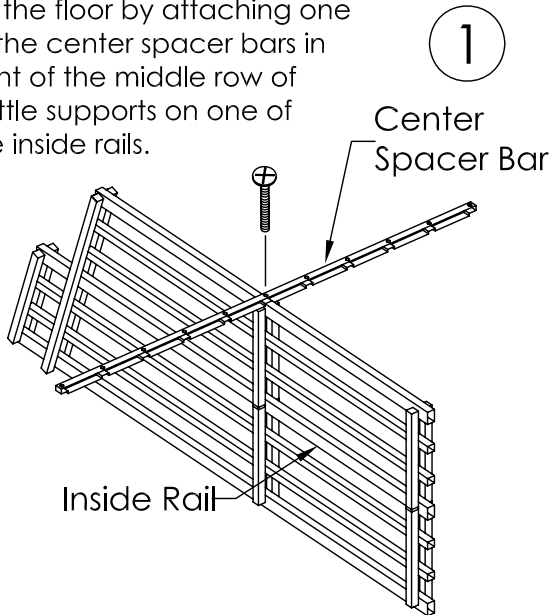
ASSEMBLY INSTRUCTIONS Retail BOTTLE RACKING

DWG. 10018

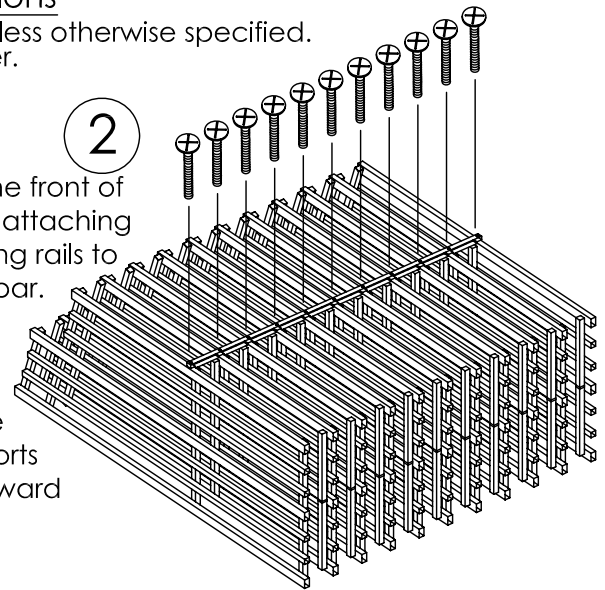
Double Tier Wall Display Assembly Instructions

Note: Custom racks are to be nailed together instead of screws unless otherwise specified.
1 1/4" to 1 1/2" long 18ga. brad nails to be supplied by customer.
Use of a nail gun is recommended.

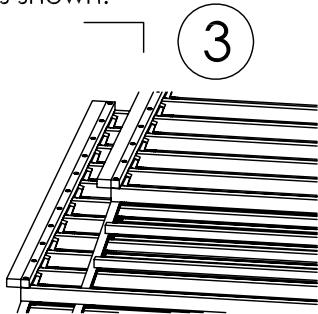
Assemble one complete side of the rack on the floor by attaching one of the center spacer bars in front of the middle row of bottle supports on one of the inside rails.



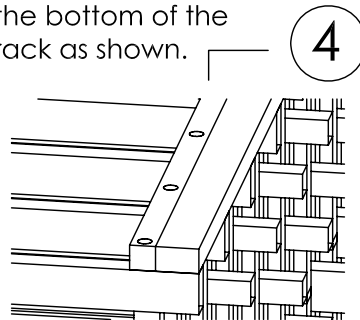
Assemble the front of the rack by attaching the remaining rails to this spacer bar. Be sure to attach the (2) outside rails with the bottle supports facing in toward each other.



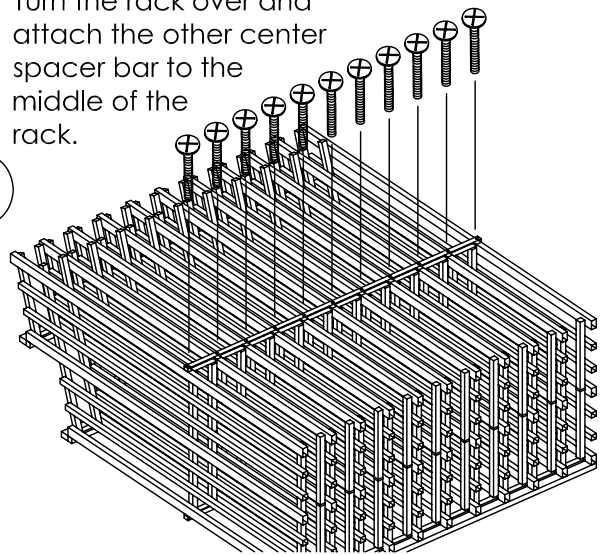
Attach two of the "L" shaped spacer bars to the top of the rack as shown.



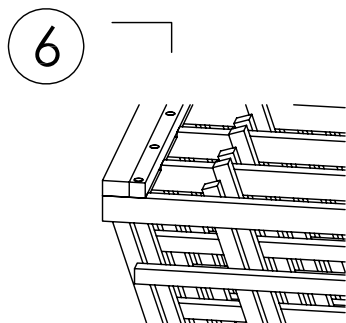
Attach another "L" shaped spacer bar to the bottom of the rack as shown.



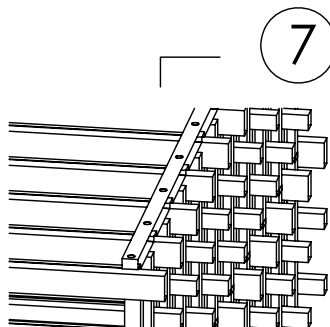
Turn the rack over and attach the other center spacer bar to the middle of the rack.



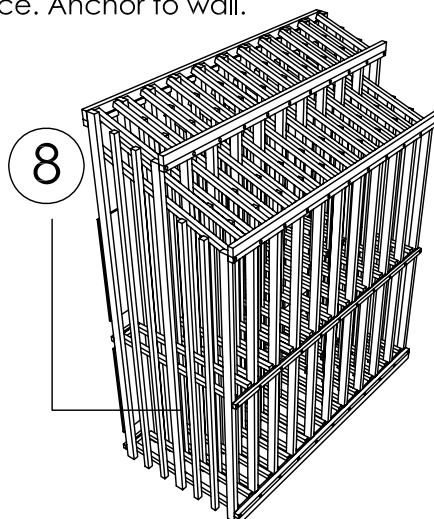
Attach the last "L" shaped spacer bar to the back top of the rack as shown.



Attach the last spacer bar to the back bottom of the rack as shown.



Stand rack upright. Set in place. Anchor to wall.



Finished Assembly