

Hose Reeling Drums

Type 8900 Hose Reels

Type 8900 Hose Reels

Technical Features:

- Aluminium and painted steel case
- Side fastening aluminium bracket with ratchet (these hose reels are delivered with disconnected ratchet, and it can easily be connected by user before the installation)
- Roller hose-guide
- Air transmission pivoting joint without slotting
- Steel springs suitable to grant the optimum hose traction and a long life

ALL THE ITEMS ARE AVAILABLE ALSO WITHOUT HOSE.

ISO EN 12100



2006 /42 / CE



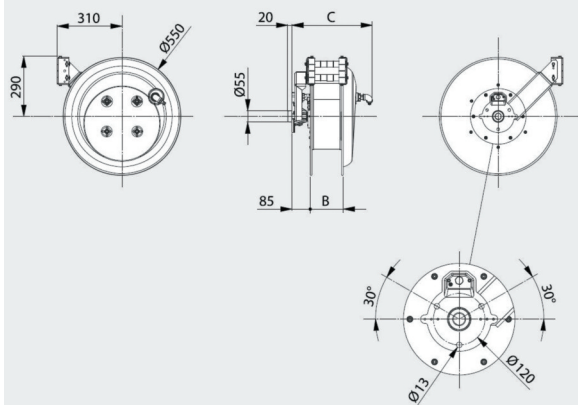
Technical Data

Type	8911	8921	8922	8931	8932	8941	8951
Hose I/D. Ø	8mm (5/16")	10mm (3/8")	10mm (3/8")	12.5mm (1/2")	12.5mm (1/2")	19mm (3/4")	25mm (1")
Hose length	47m	32m	42m	32m	42m	17m	10m
Max pressure	20 bar	20 bar	20 bar	20 bar	20 bar	10 bar	10 bar
End hose fitting	1/4" M BSP	3/8" M BSP	3/8" M BSP	1/2" M BSP	1/2" M BSP	3/4" M BSP	1" M BSP
Hose type	KPU					PVC Black	
Temperature range	-5°C / +50°C					-5°C / +40°C	
Incoming hose fitting	No					No	
Incoming hose	1m					1m	
Air	Yes					Yes	
Cold water	Yes					Yes	
Dimensions	B	160	130	160	130	160	160
	C	390	360	390	360	390	No
Without hose	8911 ST	8921 ST	8922 ST	8931 ST	8932 ST	8941 ST	8951 ST

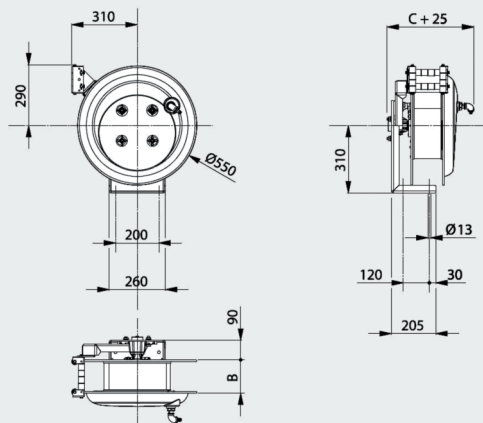
Hose Reeling Drums

Type 8900 Hose Reels

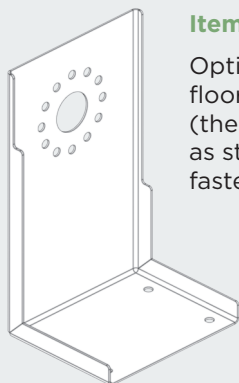
Dimensions



Dimensions with Bracket



Option



Item No. 8901

Optional bracket for wall, floor or ceiling fastening (the hose reel is delivered as standard for a side fastening)

Fixing Possibilities with Bracket

