

Hose Reeling Drums

Series 804 – 805

Series 804



Series 805



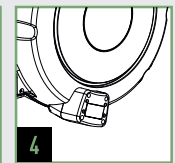
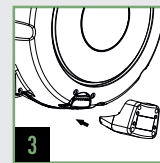
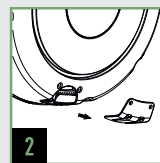
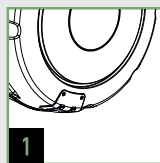
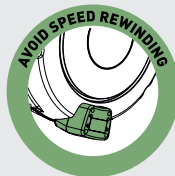
Technical Features:

- Technopolymer casing
- Complete with pivot bracket
- Provided with hose ratchet stop device, easily removable if constant traction is required.
- KPU hose

Option – Safety Return Feature









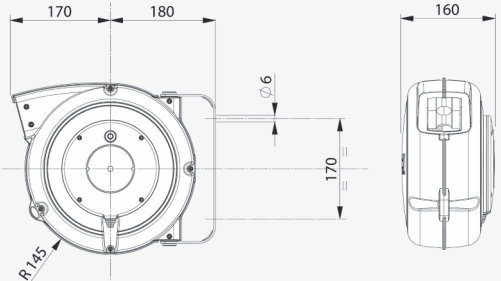
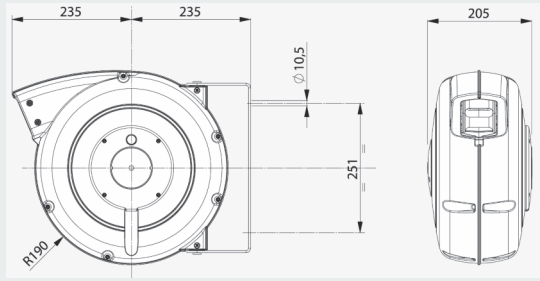
Safety Return allows the slowed down rewinding of the hoses, avoiding dangerous blowbacks in case of the operator loses their grip on the hose. Safety Return is an optional braking device for Series 805.



Hose Reeling Drums

Series 804 - 805

Technical Data					
	Series 804		Series 805		
SILVER					
	804 / 8 / S	804 / 10 / S	805 / 8 / S	805 / 10 / S	805 / 13 / S
YELLOW					
	804 / 8	804 / 10	805 / 8	805 / 10	805 / 13
Hose int. Ø	8mm (5/16")	10mm (3/8")	8mm (5/16")	10mm (3/8")	12.5mm (1/2")
Hose length	10 m	8 m	16 m	16 m	11 m
Max pressure	15 bar	15 bar	15 bar	15 bar	15 bar
End hose fitting	1/4" M BSP	3/8" M BSP	1/4" M BSP	3/8" M BSP	1/2" M BSP
Temperature	-5°C / +50°C		-5°C / +50°C		
Incoming hose fitting	No		No		
Incoming hose	1.5 m		1.5 m		
Air	Yes		Yes		
Water	Yes		Yes		
Hose type	KPU		KPU		
	44		20		
	mm 360x310x185 Kg 4		mm 430x400x210 Kg 7		

Dimensions	
Series 804	Series 805
	
Options: Optional device to fasten the pivoting bracket	