

Limit Switches

FGR Rotary limit switches

The FGR series of limit switches are a standard rotary switch for control circuit use only.

The most popular use is for limiting travel on hoist drums on all types of cranes and hoist units.


Available in two versions, either standard or coaxial for use with encoder.




General Characteristics

- Certifications
- Housing with cast aluminum body with lid thermopolymer extinguishing VO UL 94
- Protection rating according IP65 IEC/EN 60529
- Drive shaft with steel worm plated mounted on ball bearings
- Cams and micrometric adjustment screws in PA
- Maximum number of operating contacts n.6 (6 cams)
- n. 2 Cable entries with M20 cable glands
- Operating temperature: in use -25°C + 70°C
storage -30°C + 70°C


Electrical Characteristics

- Comply with IEC/EN 61058-1, uL 1054
- Certifications:  US
- Contact blocks Q 1 NC + 1NO changeover switch (C format) snap action contacts with positive opening NO contact
- Self cleaning silver alloy contacts 0,8 x 6,3 mm
- Rated insulation voltage Ui 250V
- Rated thermal current Ith 8A
- Rated operating current: resistive load 8A - 250V ac
inductive load 3A - 250V ac
- IEC/EN 61058-1 8(3)A-250V ac, UL 1054 8A - 250Vac

FGR – Standard version

	No of turns Cam/motorshaft rev ratio	Code		Weight (gr)	Minimum pack quantity
		with 4 micro switches	with 6 micro switches		
	1 / 12	FGR2006	FGR20066	1.100	1
	1 / 33	FGR2007	FGR20076	1.100	1
	1 / 50	FGR2008	FGR20086	1.100	1
	1 / 100	FGR2009	FGR20096	1.100	1
	1 / 200	FGR2010	FGR20106	1.100	1

FGR. B – Coaxial Shaft Version

	No of turns Cam/motorshaft rev ratio	Code		Weight (gr)	Minimum pack quantity
		with 4 micro switches	with 6 micro switches		
	1 / 12	FGR2006B	FGR2006B6	1.200	1
	1 / 33	FGR2007B	FGR2007B6	1.200	1
	1 / 50	FGR2008B	FGR2008B6	1.200	1
	1 / 100	FGR2009B	FGR2009B6	1.200	1
	1 / 200	FGR2010B	FGR2010B6	1.200	1

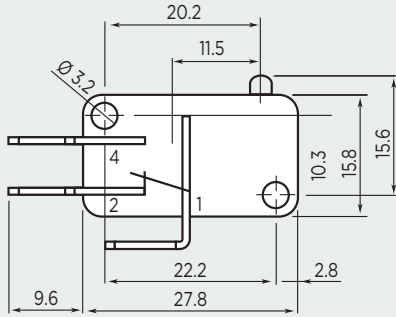
We reserve the right to amend all technical details without prior notification

Limit Switches

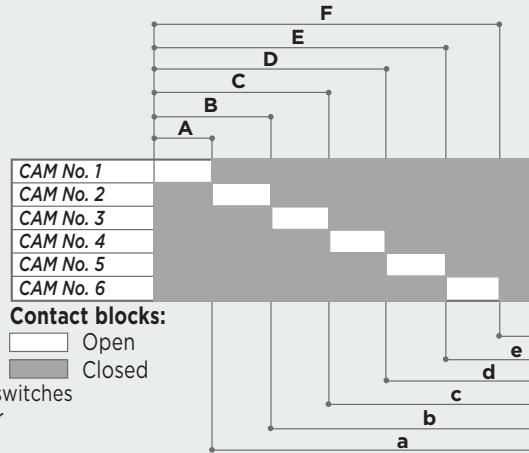
FGR Rotary limit switches

Revolutions referred to the cam's activation

Micro switch scheme

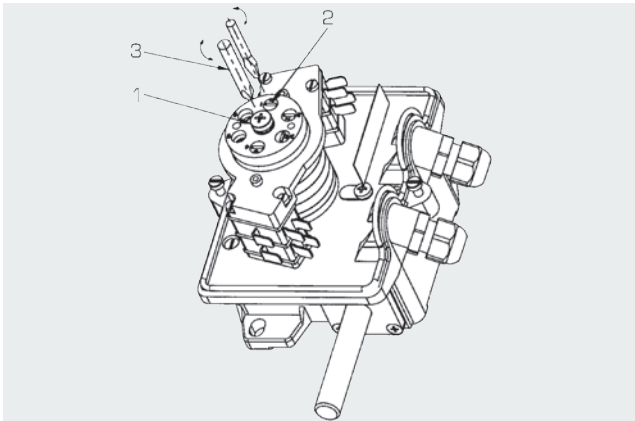


The trip refer to the action of the cam on contact 1-2 (NC)



Note: All micro switches have changeover contacts.

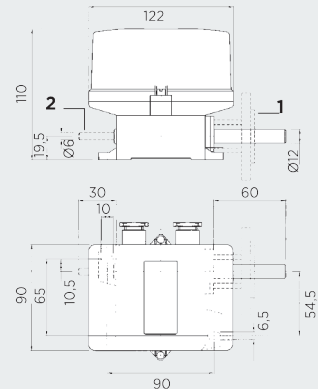
No round minutes	Code											
	A	a	B	b	C	c	D	d	E	e	F	f
12 rounds	1.25	10.75	2.5	9.5	3.75	8.25	5	7	6.25	5.75	7.5	4.5
33 rounds	3.25	29.5	7	26	10.5	22.5	14	19	17.5	15.5	21	13
50 rounds	5	45	10	40	15	35	20	30	25	25	30	20
100 rounds	10	90	20	80	30	70	40	60	50	50	60	40
120 rounds	20	180	40	160	60	140	80	120	100	100	120	80



Dimensions

1 - Flange fixing version FLG

2 - Twin shaft version

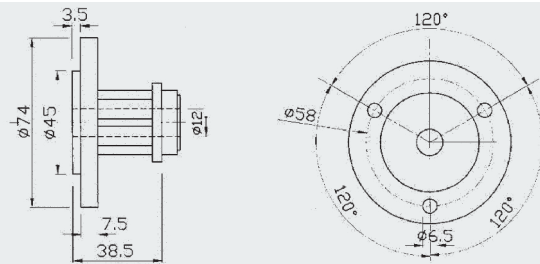


Accessories

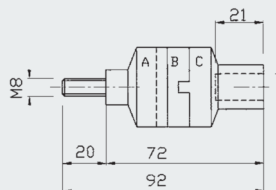
Micro switch - MFI



Flange



Oldham Coupling



Max displacement

A-B = 13
B-C = 13
A-C = 18