

Spring Balancers – 0.4-3.0kg (1600 stroke) – 1.0-8.0kg (2000 stroke)

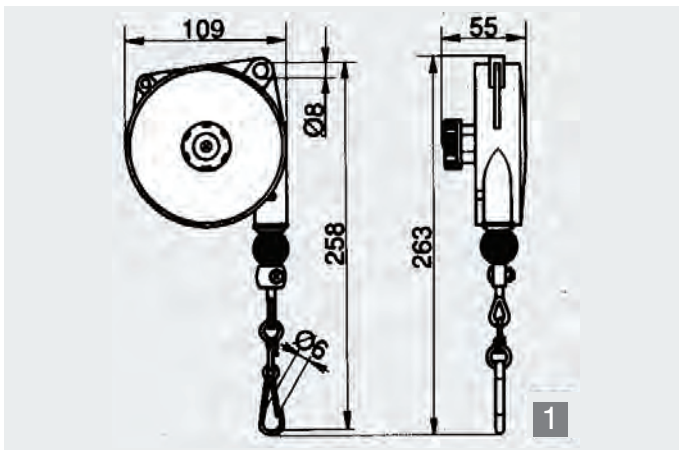
SIMBAL Tool Balancers

Features

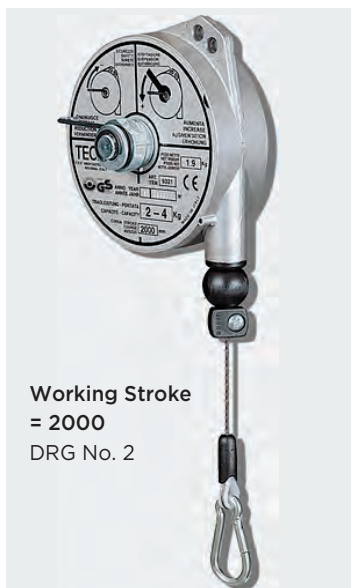
- Simple rugged construction
- Cast aluminium body
- Adjustable capacity
- Bushes – self lubricating
- Adjustable stroke limiting device
- Rotary safety hook
- Auxiliary safety cable
- Stainless steel cable
- Anti-friction cable guide



Working Stroke
= 1600
DRG No. 1



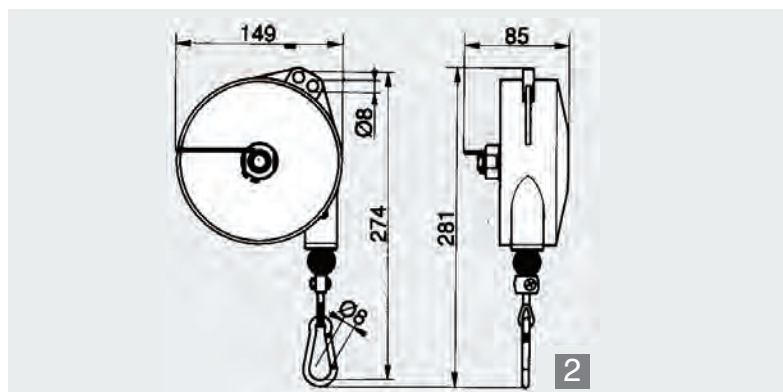
Item Code	Capacity (kg)	Weight (kg)
9311	0.4 - 1.0	0.6
9312	1.0 - 2.0	0.6
9313	2.0 - 3.0	0.6



Working Stroke
= 2000
DRG No. 2

Features

- Safety device prevents the load from dropping in the event of spring failure (except 9320)
- Rugged construction, cast aluminium body
- Adjustable capacity
- Bushes – self lubricating
- Adjustable stroke limiting device
- Rotary safety hook
- Auxiliary safety cable
- Stainless steel cable
- Anti-friction cable guide



Item Code	Capacity (kg)	Weight (kg)
9320	1.0 - 2.5	2.0
9321	2.5 - 4.0	2.0
9322	4.0 - 6.0	2.5
9323	6.0 - 8.0	2.5