

Catenary Wire Festoon Systems

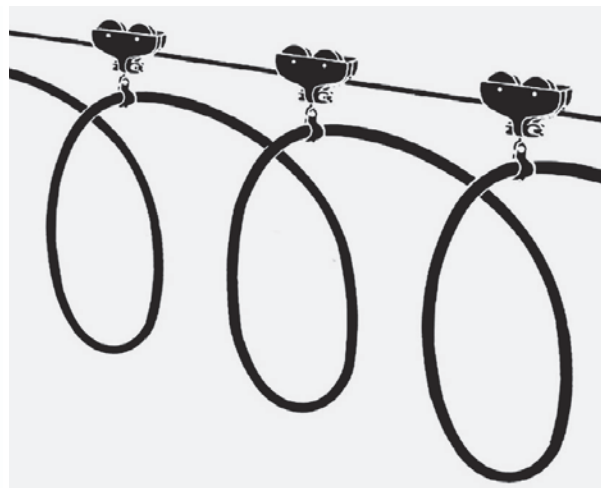
Cable & Hose Carrying Systems

Application

Catenary wire festoon systems provide an economical solution for a range of applications where single, small section cables are to be carried over shorter distances. The taut wire is stretched over the full length of the system with a tensioning turnbuckle at each end, ie no intermediate supports are required making installation quick and easy. Trolleys are available for flatform cables, round cables and hoses with trolley capacities ranging from 5kg up to 20kg. The maximum length of these systems is governed by the need to limit cable sag, this can vary depending on the type of electrical cable or hose being carried but system lengths over 20m are not normally practical.



Typical assembly showing round cable or hose carried along a catenary wire using type 25/12 double wheel trolleys with clips for round cable.



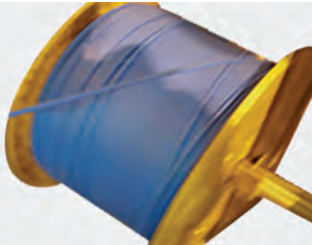
Type 5/6-23 single wheel trolley with platform cable clip.

Catenary Wire Festoon Systems

Cable & Hose Carrying Systems

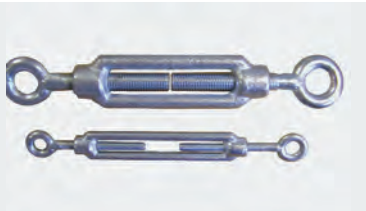
Catenary Wire

Part Number	Part Code	Diameter
0200101000	2005	5mm
0200101500	2008	8mm



Turnbuckles

Part Number	Part Code	Thread Diameter
0200102500	2060	6mm
0200103000	2120	12mm
0200103500	2160	16mm



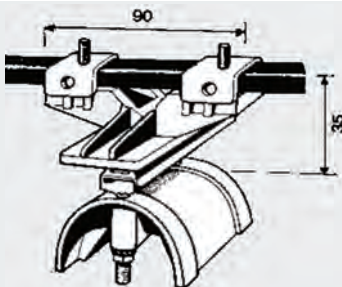
Shell Clamps

Part Number	Part Code	Thread Diameter
0200104000	205	6mm
0200104500	208	8mm



End Anchors for Platform Cable

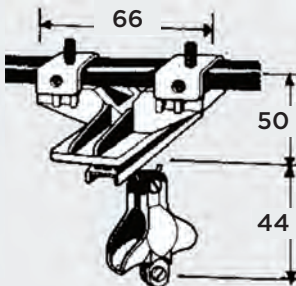
Part Number	Part Code	Drg
0600100500	137-4260/60	G
0600101200	137/7544	G



'G' for 5/8mm wire
Max. cable stack
4260/60 - 50x30mm
7544 - 75x30mm
Max. load = 25kg

End Anchors for Round Cable & Hose

Part Number	Part Code	Drg
0600105000	039-23	K



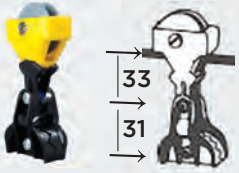
'K' for 5/8mm wire

Intermedia Trolleys for Platform Cable

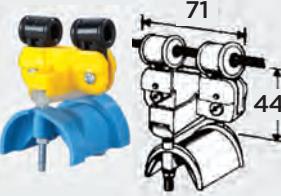
Part Number	Part Code	Drg
0200106500	5/6-23 + 15.1723	C
0200107500	4/8-4260/60	D
0200108500	10/60-4266/60	E
0200110500A	25/12-4260/60	F
0200110500B	25/12-7544/60	F

Towing Trolleys for Platform Cable

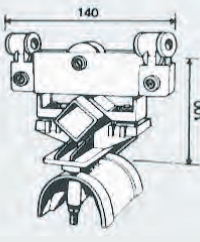
Part Number	Part Code	Drg
0200111000	22/6.037-4260/60	A
0200112000	33/12.037-4260/60	B
0200112100	33/12.037-7544/60	B




'C' for 5mm wire
Max. cable stack 18x6mm
Max. load = 5kg



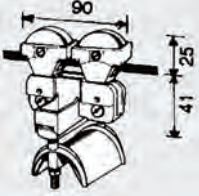
'D' for 5/8mm wire
Max. cable stack 45x25mm



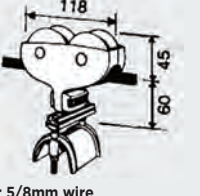
'A' for 5mm wire
Max. cable stack 50x30mm





'B' for 5/8mm wire Max. cable stack
4260/60 - 50x30mm
7544/60 - 75x30mm



'E' for 5mm wire
Max. cable stack 45x25mm
Max. load = 10kg



'F' for 5/8mm wire
Max. cable stack
4260/60 50x30mm
7544/60 75x30mm
Max. load = 25kg

We reserve the right to amend all technical details without prior notification

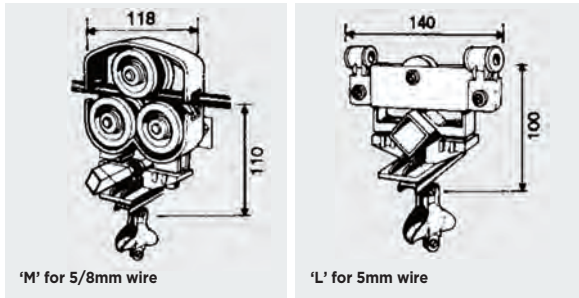


Catenary Wire Festoon Systems

Cable & Hose Carrying Systems

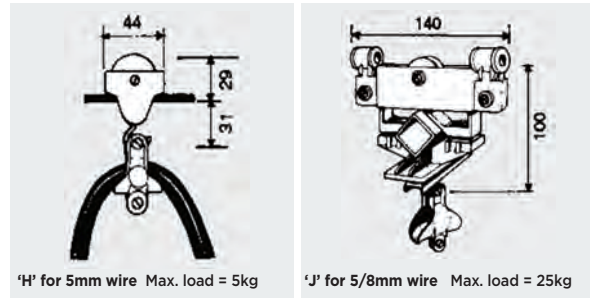
Towing Trolleys for Round Cable/Hose

Part Number	Part Code	Drg
0200112500	22/6.037-23	L
0200112000	33/12.039-23	M



Intermedia Trolleys for Round Cable/Hose

Part Number	Part Code	Drg
0200106000	5/6-23	H
0200110500	25/23-23	J



Round Cable / Hose Clips

Part Code	Cable Diameter	Dim A
15.0608	6-8mm	33mm
15.1014	10-14mm	33mm
15.1519	15-19mm	38mm
18.2024	20-24mm	43mm
18.2529	25-29mm	51mm
18.3034	30-34mm	56mm
18.3539	35-39mm	62mm

