

# Medium Duty Industrial Cable Reels

## Signal Transmission Reels

SIMBAL signal transmission cable reels are the ideal solution for a wide range of mobile applications such as robots, medical equipment and many others. These drums come as an integral unit with pre-fitted cable and a swiveling wall mounting bracket.

### Features:

- Shock resistant plastic external case on type 47 drums and die cast aluminium on type 67 & AL41 drums.
- Cable roller guide
- Ratchet stop every 50mm (easily disconnected if not required)
- Gold alloy sliprings & brushes
- IP42 Protection (IP65 available on some models)
- Working temperature -5 / +40 deg C



### Possible Applications

Typical applications for SIMBAL signal transmission reels include:  
Robots and down-hole inspection equipment  
Manufacturing and process control equipment  
Medical equipment  
Packaging machines  
Ethernet network (CAT 5E mod. also suitable for Gigabit networks)  
Bus for automation (specific cables available on request)

### Slipring Technical Features

6/12/24 contacts, max capacity 2A, max 48V  
Gold alloy rings and brushes  
High reliability and duration  
Low friction torque  
Dielectric strength 500 Vca a 60 Hz  
Insulation resistance: > 1000 M $\Omega$ / 500 Vcc  
Noise: <100 m $\Omega$  a 6 Vcc and 50 mA (at 5 rpm)

### Cable Technical Features

Outer jacket - PUR/TPE highly flexible, abrasion/oil/coolers - resistant  
Silicon free  
Halogen free (following EN 50267-2-1)  
Lead free (following 2011/65/EU ROHS-II)  
Cores combined in bundles and stranded together around a centre for high tensile stresses with adapted, short pitch lengths and pitch directions, special low-torsion structure.


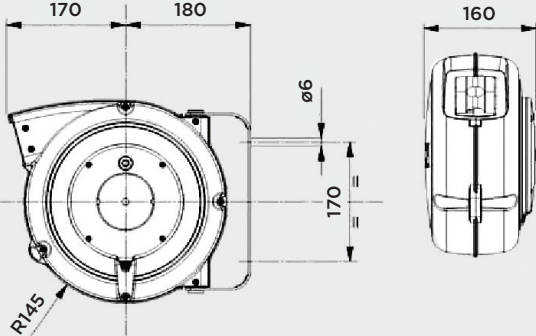
### Technical Data





Please see the following sheet for technical and dimensional data

# Medium Duty Industrial Cable Reels


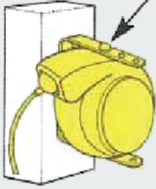
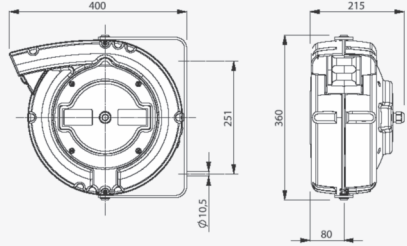
## Signal Transmission Reels





### Type 47


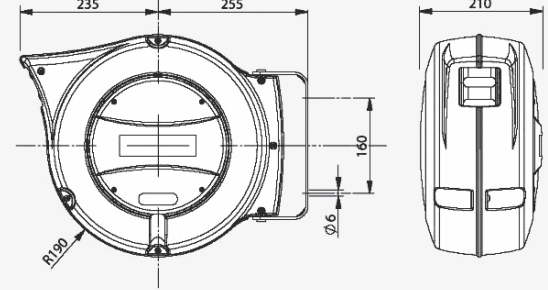
Manufactured according to standard: Construit selon norme: EN 61242 EN 60335-1	
 	
These products comply with Directives: Produits conformes aux Directives: 2006/95/CE 2006/42/CE 2002/95/CE	
	<b>44</b>
	mm335x310 x185 Kg 5

### Type 67

	<b>30</b>		<b>24</b>
	mm400x370 x190 Kg 13		mm400x390 x290 Kg 13

### Type AL

Other reels in the range include 230V single phase reels. Multi-core cable reels and a wide variety of reels for special applications such as earthing reels, battery charging and electric vehicle charging. For further information please call our sales team on **01298 813883**, email: [sales@simbal.net](mailto:sales@simbal.net) or visit our website at [www.simbal.net](http://www.simbal.net)