

'ATEX' Spring Balancers – 4.0 – 25.0kg (2000 stroke)

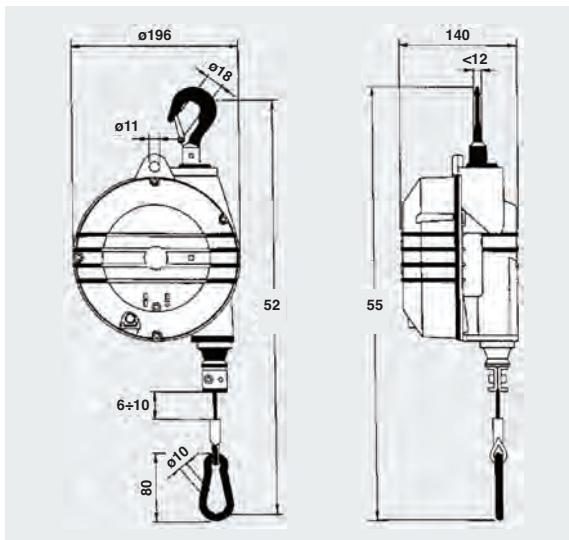
SIMBAL 'ATEX' Tool Balancers

ATEX Features

- Taper drum on ball bearings
- Fully ATEX certified for potentially explosive environments
- ATEX Rating : Ex II 2GD c II 85degC (T6)
- 100% Electrical continuity
- Fully earthed
- Spring drum assembly is conductive & dust / liquid proof
- No internal metal to metal contact

Standard Features

- Ribbed & sealed mono - block construction in aluminium alloy
- Stainless steel cable.
- Adjustable capacity by worm screw
- Auxiliary safety suspension cable.
- Safety device prevents the load from dropping in the event of spring failure
- Rotary safety hook top & bottom
- Locking device to lock load at any height
- Adjustable stroke limiting device.
- Taper drum rotating on ball bearings
- Anti - friction cable guide.
- Inert spring drum assembly for easy replacement.
- Precision guided cable winding avoiding entanglement & jamming



Item Code	Capacity (kg)	Weight (kg)
9354 AX	4.0 - 7.0	6.0
9355 AX	7.0 - 10.0	6.4
9356 AX	10.0 - 14.0	6.8
9357 AX	14.0 - 18.0	7.4
9358 AX	18.0 - 22.0	7.4
9359 AX	22.0 - 25.0	7.6

'ATEX' Spring Balancers – 20 - 100kg (2100 stroke)

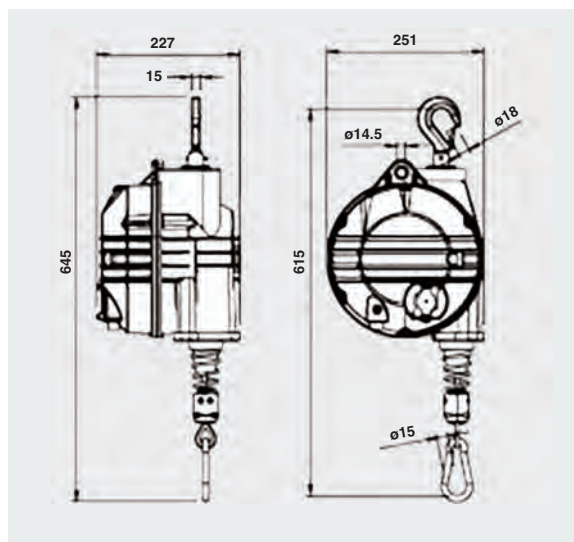
SIMBAL 'ATEX' Tool Balancers

ATEX Features

- Fully ATEX certified for potentially explosive environments
- ATEX Rating : Ex II 2GD c II 85degC (T6)
- 100% Electrical continuity
- Fully earthed
- Spring drum assembly is conductive & dust / liquid proof
- No internal metal to metal contact

Standard Features

- Ribbed & sealed mono - block construction in aluminium alloy
- Stainless steel cable.
- Adjustable capacity by worm screw
- Auxiliary safety suspension cable.
- Safety device prevents the load from dropping in the event of spring failure
- Rotary safety hook top & bottom
- Locking device to lock load at any height
- Adjustable stroke limiting device.
- Taper drum rotating on ball bearings
- Anti - friction cable guide.
- Inert spring drum assembly for easy replacement.
- Precision guided cable winding avoiding entanglement & jamming



Item Code	Capacity (kg)	Weight (kg)
9502 AX	20 - 30	14.4
9503 AX	30 - 40	17.0
9504 AX	40 - 50	17.3
9505 AX	50 - 60	18.5
9506 AX	60 - 70	17.3
9507 AX	70 - 80	19.5
9508 AX	80 - 90	18.0
9509 AX	90 - 100	18.6

'ATEX' Spring Balancers – 12 – 70kg (2700 stroke)

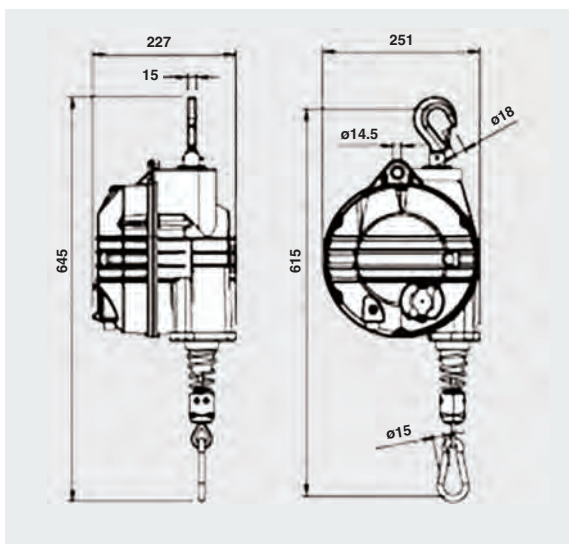
SIMBAL 'ATEX' Tool Balancers

ATEX Features

- Fully ATEX certified for potentially explosive environments
- ATEX Rating : Ex II 2GD c II 85degC (T6)
- 100% Electrical continuity
- Fully earthed
- Spring drum assembly is conductive & dust / liquid proof
- No internal metal to metal contact

Standard Features

- Ribbed & sealed mono - block construction in aluminium alloy
- Stainless steel cable.
- Adjustable capacity by worm screw
- Auxiliary safety suspension cable.
- Safety device prevents the load from dropping in the event of spring failure
- Rotary safety hook top & bottom
- Locking device to lock load at any height
- Adjustable stroke limiting device.
- Taper drum rotating on ball bearings
- Anti - friction cable guide.
- Inert spring drum assembly for easy replacement.
- Precision guided cable winding avoiding entanglement & jamming



Item Code	Capacity (kg)	Weight (kg)
9520 AX	12 - 20	14.6
9521 AX	20 - 30	14.4
9522 AX	30 - 40	17.6
9523 AX	40 - 50	17.2
9524 AX	50 - 60	18.4
9525 AX	60 - 70	17.5