

9401 - 9405

9431 - 9433

	Aluminium	
	2500 mm	9401 - 9405
	3000 mm	9431 - 9433
	Stainless Steel	
	15 - 60 kg	

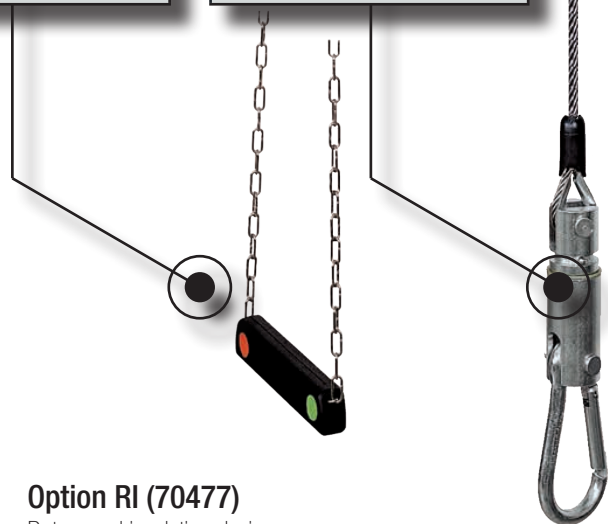
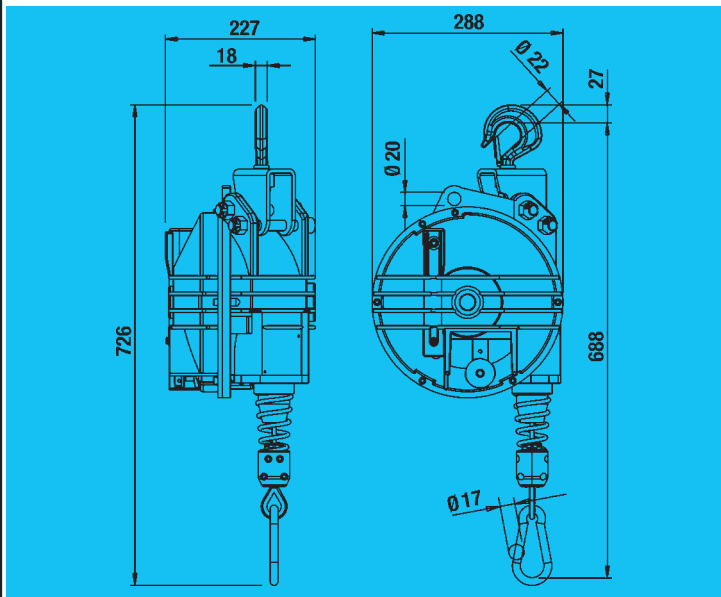


- Ribbed and sealed construction in aluminium alloy
- Stainless steel rope
- Adjustable capacity by worm screw
- Safety suspension
- Safety device against load dropping due to the spring breakage (capacity >3kg)
- Centrifugal safety device
- Upper rotary suspension with safety hook
- Locking device to block the load at any height
- Adjustable stroke limiting device
- Taper drum rotating on ball bearings
- Cable guide in antifriction material
- Rotary upper hook with ball bearing
- Lining up top hook
- Visible cable to aid inspection
- Inert spring drum assembly
- Option - B/B1 - Floor control locking device
- Option RI - Rotary insulated hook



Option B (70084)

Option RI (70477)



Option RI (70477)

Rotary and insulating device.

Option B (70084)

Locking-unlocking device with control from the floor.

Item	9401	9402	9403	9404	9405
	15 - 20	20 - 30	30 - 40	40 - 50	50 - 60
	19,67	21,11	21,11	22,03	23,07

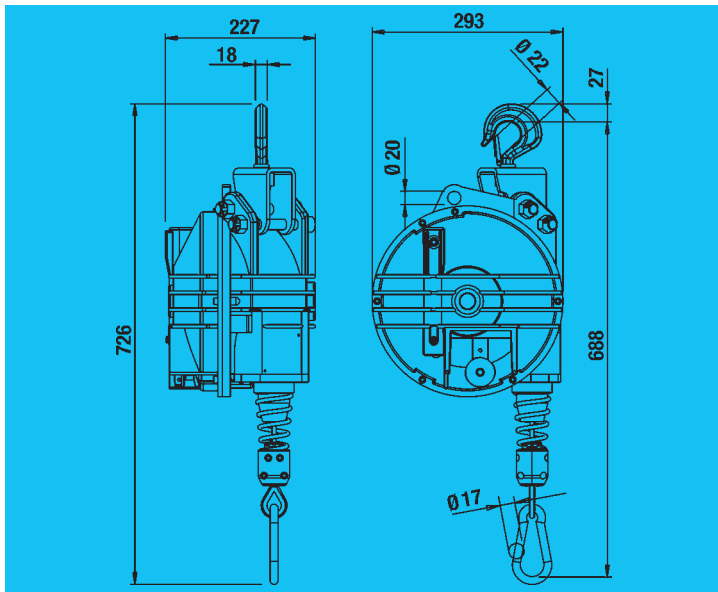
	9431	9432	9433
	15 - 20	20 - 25	25 - 35
	19,67	19,67	21,11

9401G - 9405G 9431G - 9433G

	Aluminium/Rubber	
	2500 mm	9401G - 9405G
	3000 mm	9431G - 9433G
Stainless Steel		
	15 - 60 kg	



- Ribbed and sealed construction in aluminium alloy with rubber protection
- Stainless steel rope
- Adjustable capacity by worm screw
- Safety suspension
- Safety device against load dropping due to the spring breakage (capacity >3kg)
- Centrifugal safety device
- Upper rotary suspension with safety hook
- Locking device to block the load at any height
- Adjustable stroke limiting device
- Taper drum rotating on ball bearings
- Cable guide in antifriction material
- Rotary upper hook with ball bearing
- Lining up top hook
- Visible cable to aid inspection
- Inert spring drum assembly
- Option - B/B1 - Floor control locking device
- Option RI - Rotary insulated hook



Item	9401G	9402G	9403G	9404G	9405G
kg	15 - 20	20 - 30	30 - 40	40 - 50	50 - 60
kg	20,75	22,19	22,19	23,12	24,15

9431G	9432G	9433G
15 - 20	20 - 25	25 - 35
20,75	20,75	22,19

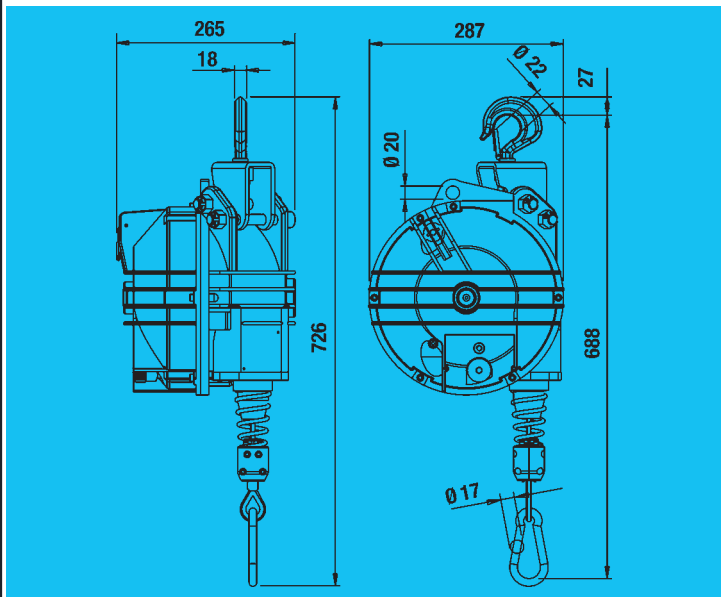
9411 - 9414

9434 - 9444

	Aluminium	
	2500 mm	9411 - 9414
	3000 mm	9434 - 9444
	Stainless Steel	
	35 - 100 kg	



- Ribbed and sealed construction in aluminium alloy
- Stainless steel rope
- Adjustable capacity by worm screw
- Safety suspension
- Safety device against load dropping due to the spring breakage (capacity >3kg)
- Centrifugal safety device
- Upper rotary suspension with safety hook
- Locking device to block the load at any height
- Adjustable stroke limiting device
- Taper drum rotating on ball bearings
- Cable guide in antifriction material
- Rotary upper hook with ball bearing
- Lining up top hook
- Visible cable to aid inspection
- Inert spring drum assembly
- Option - B/B1 - Floor control locking device
- Option RI - Rotary insulated hook



Item	9411	9412	9413	9414
kg	60 - 70	70 - 80	80 - 90	90 - 100
kg	25,56	26,75	27,90	28,46

9434	9435	9436	9441	9442	9443	9444
35 - 45	40 - 50	50 - 60	60 - 70	70 - 80	80 - 90	90 - 100
24,46	23,64	24,69	25,56	26,75	27,90	28,46

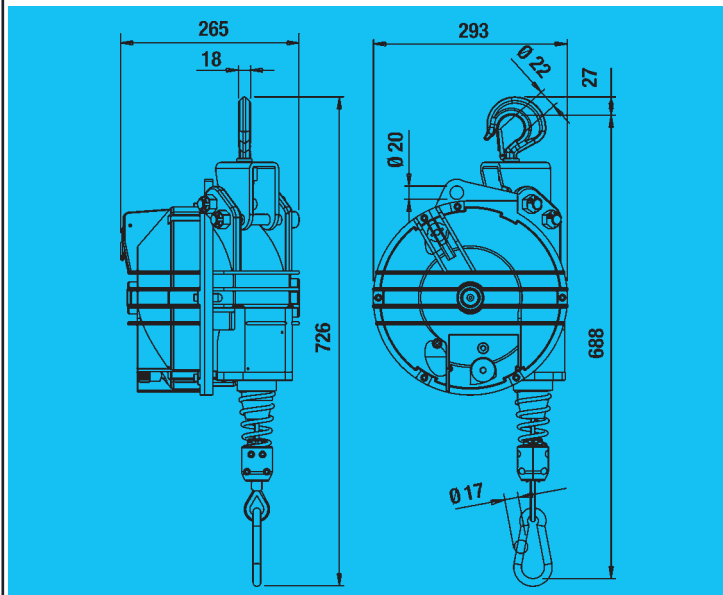
9411G - 9414G

9434 G- 9444G

	Aluminium/Rubber	
	2500 mm	9411G - 9414G
	3000 mm	9434G - 9444G
	Stainless Steel	
	35 - 100 kg	



- Ribbed and sealed construction in aluminium alloy with rubber protection
- Stainless steel rope
- Adjustable capacity by worm screw
- Safety suspension
- Safety device against load dropping due to the spring breakage (capacity >3kg)
- Centrifugal safety device
- Upper rotary suspension with safety hook
- Locking device to block the load at any height
- Adjustable stroke limiting device
- Taper drum rotating on ball bearings
- Cable guide in antifriction material
- Rotary upper hook with ball bearing
- Lining up top hook
- Visible cable to aid inspection
- Inert spring drum assembly
- Option - B/B1 - Floor control locking device
- Option RI - Rotary insulated hook



Item	9411G	9412G	9413G	9414G
kg	60 - 70	70 - 80	80 - 90	90 - 100
kg	26,79	27,98	29,13	29,69

9434G	9435G	9436G	9441G	9442G	9443G	9444G
35 - 45	40 - 50	50 - 60	60 - 70	70 - 80	80 - 90	80 - 100
25,69	24,88	25,91	26,79	27,98	29,13	29,69