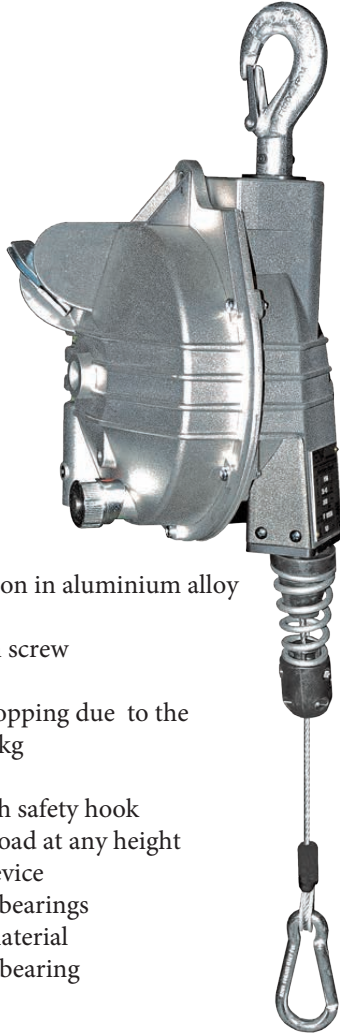


9361 - 9369



	Aluminium
	2000 mm
	Stainless Steel
	10 - 75 kg

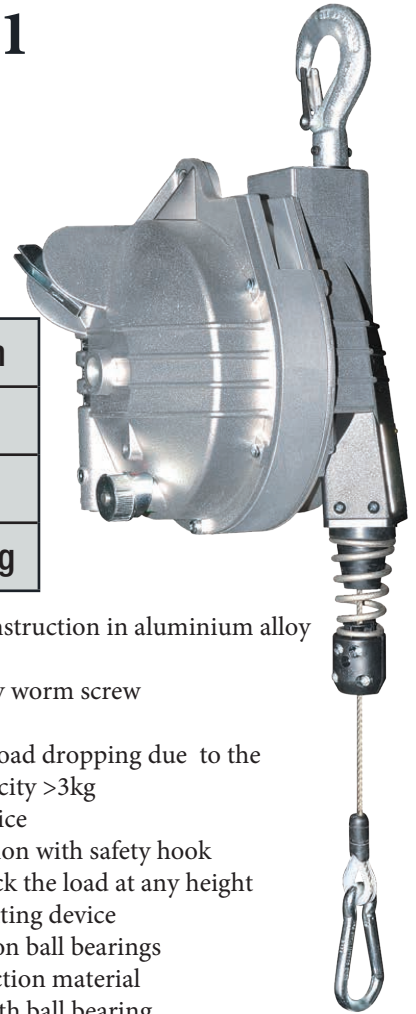


- Ribbed and sealed construction in aluminium alloy
- Stainless steel rope
- Adjustable capacity by worm screw
- Safety suspension
- Safety device against load dropping due to the spring breakage (capacity >3kg)
- Centrifugal safety device
- Upper rotary suspension with safety hook
- Locking device to block the load at any height
- Adjustable stroke limiting device
- Taper drum rotating on ball bearings
- Cable guide in antifriction material
- Rotary upper hook with ball bearing
- Inert spring drum assembly
- Polyamide thimble
- Option - B - Floor control locking device

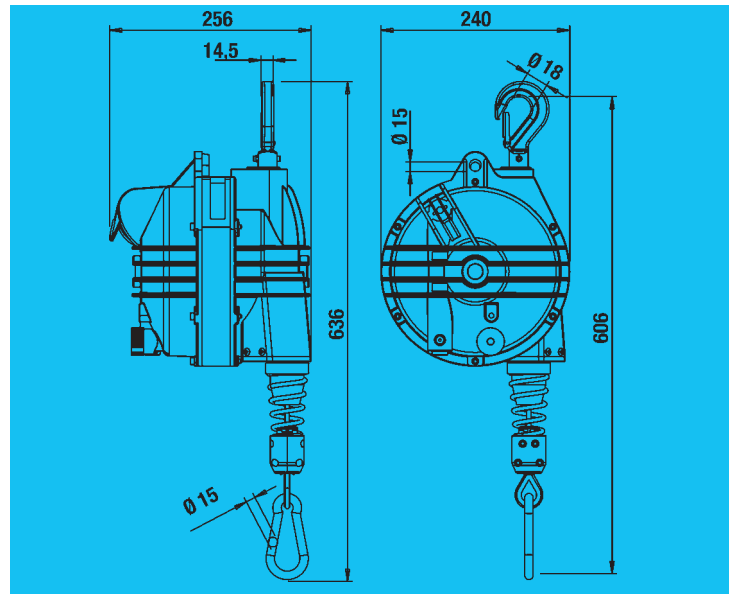
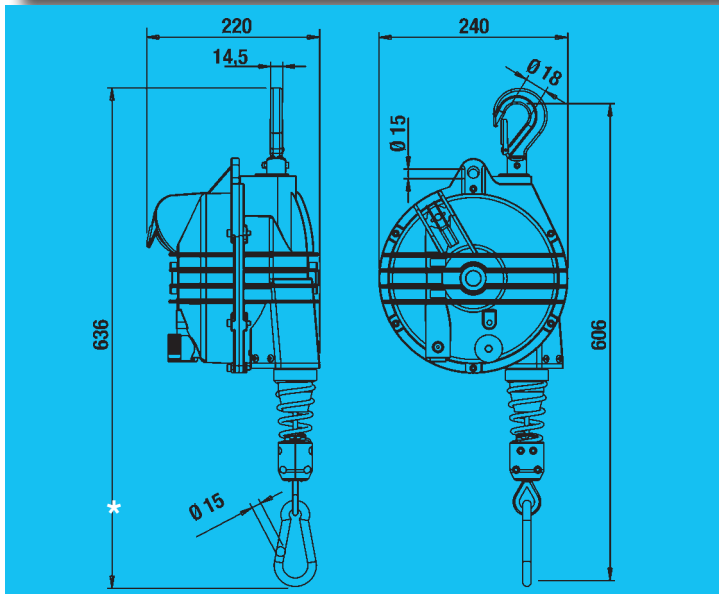
9370 - 9371



	Aluminium
	2000 mm
	Stainless Steel
	75 - 105 kg



- Ribbed and sealed construction in aluminium alloy
- Stainless steel rope
- Adjustable capacity by worm screw
- Safety suspension
- Safety device against load dropping due to the spring breakage (capacity >3kg)
- Centrifugal safety device
- Upper rotary suspension with safety hook
- Locking device to block the load at any height
- Adjustable stroke limiting device
- Taper drum rotating on ball bearings
- Cable guide in antifriction material
- Rotary upper hook with ball bearing
- Inert spring drum assembly
- Polyamide thimble
- Option - B - Floor control locking device



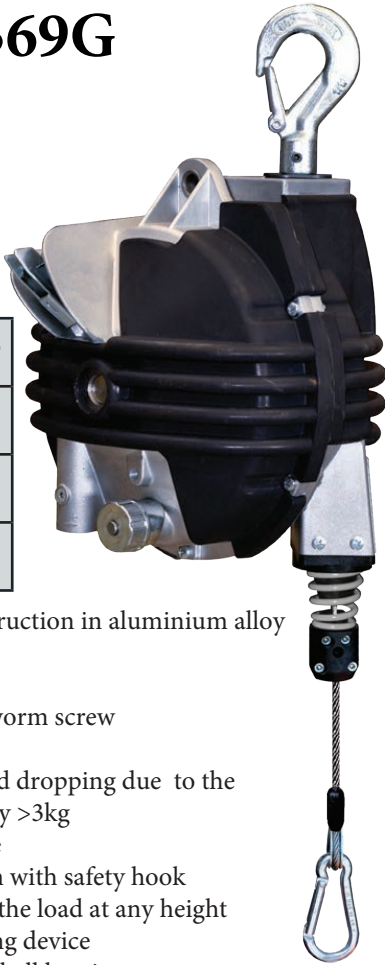
Item	9361	9362	9363	9364	9365	9366	9367	9368	9369
kg	10 - 15	15 - 20	20 - 25	25 - 30	30 - 35	35 - 45	45 - 55	55 - 65	65 - 75
kg	9,20	9,50	9,80	10,20	10,60	11,00	11,30	12,30	13,20

Item	9370	9371
kg	75 - 90	90 - 105
kg	16,10	17,20

9361G - 9369G



	Aluminium/Rubber
	2000 mm
Stainless Steel	
	10 - 75 kg



- Ribbed and sealed construction in aluminium alloy with rubber protection
- Stainless steel rope
- Adjustable capacity by worm screw
- Safety suspension
- Safety device against load dropping due to the spring breakage (capacity >3kg)
- Centrifugal safety device
- Upper rotary suspension with safety hook
- Locking device to block the load at any height
- Adjustable stroke limiting device
- Taper drum rotating on ball bearings
- Cable guide in antifriction material
- Rotary upper hook with ball bearing
- Inert spring drum assembly
- Polyamide thimble
- Option - B - Floor control locking device

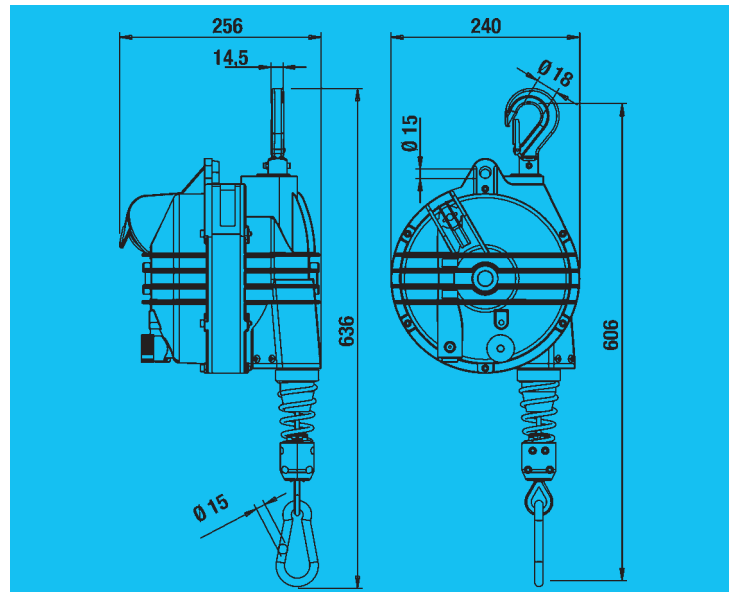
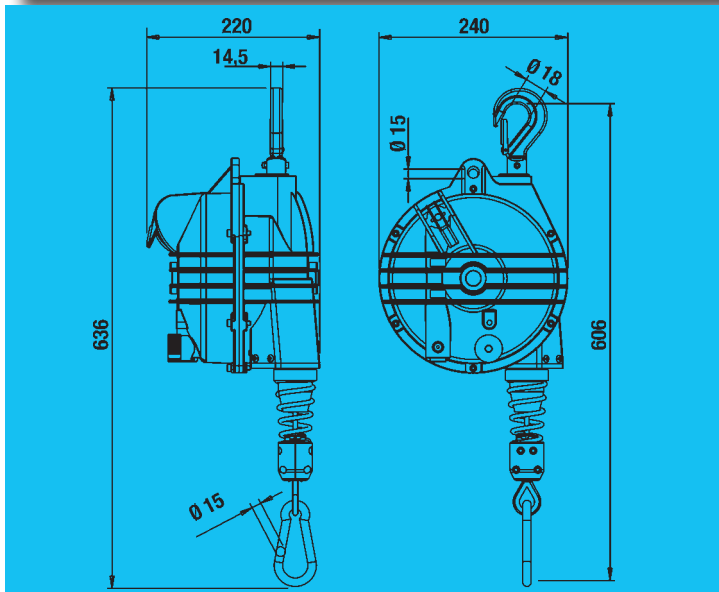
9370G - 9371G



	Aluminium/Rubber
	2000 mm
Stainless Steel	
	75 - 105 kg



- Ribbed and sealed construction in aluminium alloy with rubber protection
- Stainless steel rope
- Adjustable capacity by worm screw
- Safety suspension
- Safety device against load dropping due to the spring breakage (capacity >3kg)
- Centrifugal safety device
- Upper rotary suspension with safety hook
- Locking device to block the load at any height
- Adjustable stroke limiting device
- Taper drum rotating on ball bearings
- Cable guide in antifriction material
- Rotary upper hook with ball bearing
- Inert spring drum assembly
- Polyamide thimble
- Option - B - Floor control locking device



Item	9361G	9362G	9363G	9364G	9365G	9366G	9367G	9368G	9369G
kg	10 - 15	15 - 20	20 - 25	25 - 30	30 - 35	35 - 45	45 - 55	55 - 65	65 - 75
kg	10,30	10,60	10,90	11,30	11,70	12,10	12,40	13,40	14,30

Item	9370G	9371G
kg	75 - 90	90 - 105
kg	17,20	18,30