

9336LAX-9340AX

	Aluminium
	2500 mm
	Stainless Steel
	0,5 - 14 kg



- Rugged construction - cast aluminium body
- Stainless Steel rope
- Adjustable capacity
- Safety device to prevent load falling in event of spring breakage (>3kg)
- Safety suspension
- Adjustable stroke limiting device
- Anti-friction cable guide
- Inert spring drum assembly
- Polyamide thimbles

ATEX COMPLIANT



Explosive Atmospheres

- II 2G Ex h IIC T6 Gb (9336LAX/9336AX)
- II 2G Ex h IIB T6 Gb (9337AX÷9339AX)
- II 2G Ex h IIA T6 Gb (9340AX)

9346LAX-9350AX

	STOP
	Aluminium
	2500 mm
	Stainless Steel
	0,5 - 14 kg



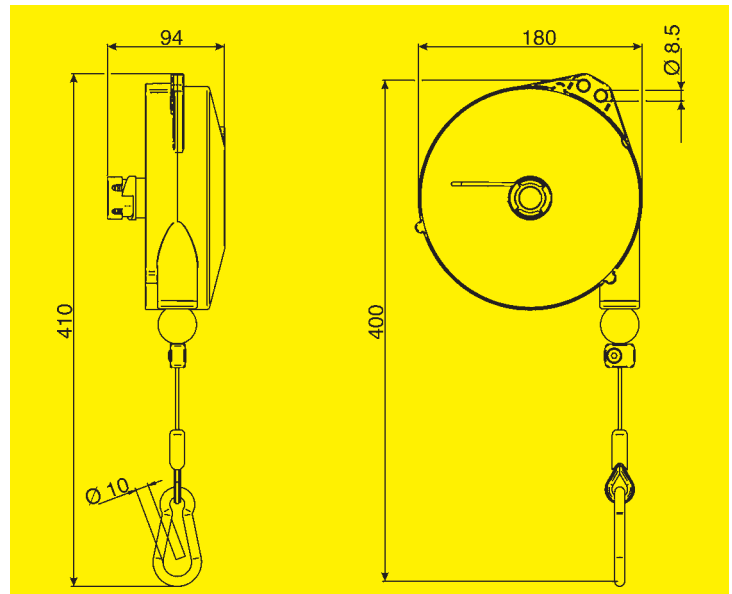
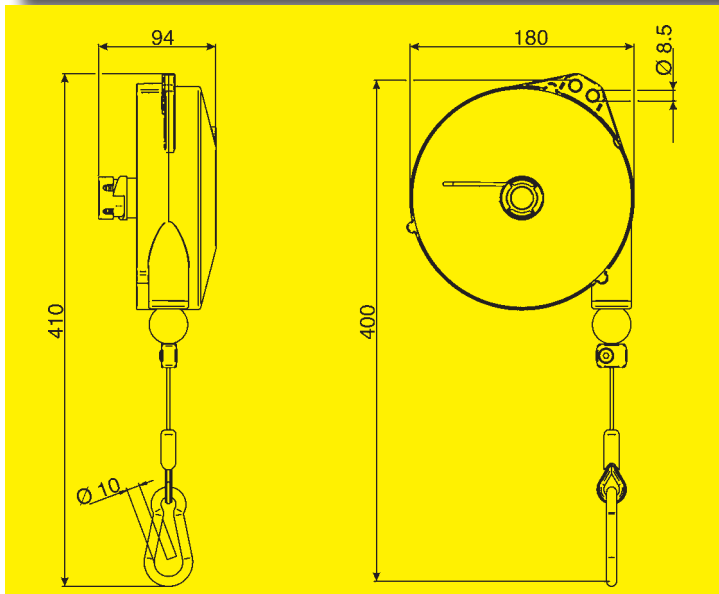
- Rugged construction - cast aluminium body
- Stainless Steel rope
- Adjustable capacity
- Safety device to prevent load falling in event of spring breakage (>3kg)
- Safety suspension
- Adjustable stroke limiting device
- Anti-friction cable guide
- Inert spring drum assembly
- Polyamide thimbles

These balancers are equip-ped with a device enabling to stop the stroke by carrying out a simple operation on the load.

ATEX COMPLIANT

Explosive Atmospheres

- II 2G Ex h IIC T6 Gb (9346LAX/9346AX)
- II 2G Ex h IIB T6 Gb (9347AX÷9349AX)
- II 2G Ex h IIA T6 Gb (9350AX)



Item	9336LAX	9336AX	9337AX	9338AX	9339AX	9340AX
kg	0,5 - 2	2 - 4	4 - 6	6 - 8	8 - 10	10 - 14
kg	3,14	3,14	3,30	3,36	3,43	3,58

Item	9346LAX	9346AX	9347AX	9348AX	9349AX	9350AX
kg	0,5 - 2	2 - 4	4 - 6	6 - 8	8 - 10	10 - 14
kg	3,14	3,14	3,32	3,38	3,48	3,62