

9310AX-9313AX

	Aluminium
	1600 mm
	Stainless Steel
	0,2 - 3 kg



- Rugged construction - cast aluminium body
- Stainless Steel rope
- Adjustable capacity
- Safety suspension
- Adjustable stroke limiting device
- Anti-friction cable guide
- Inert spring drum assembly
- Polyamide thimbles

ATEX **COMPLIANT**
 Explosive Atmospheres
 II 2G Ex h IIC T6 Gb

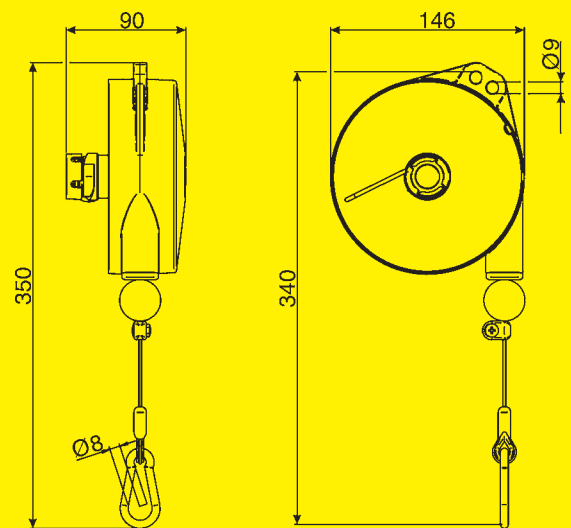
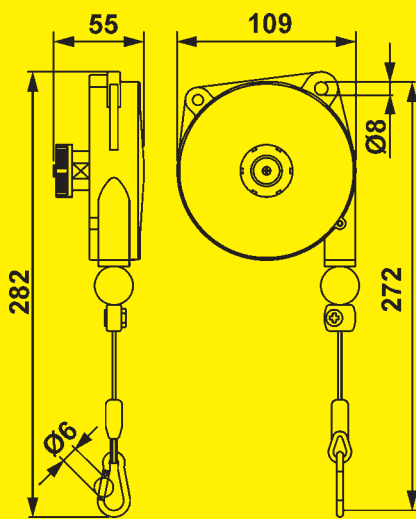
9320AX-9323AX

	Aluminium
	2000 mm
	Stainless Steel
	1 - 8 kg



- Rugged construction - cast aluminium body
- Stainless Steel rope
- Adjustable capacity
- Safety device to prevent load falling in event of spring breakage (>3kg)
- Safety suspension
- Adjustable stroke limiting device
- Anti-friction cable guide
- Inert spring drum assembly
- Polyamide thimbles

ATEX **COMPLIANT**
 Explosive Atmospheres
 II 2G Ex h IIC T6 Gb
 II 2G Ex h IIB T6 Gb (9323AX)



Item	9310AX	9311AX	9312AX	9313AX
kg	0,2 - 0,5	0,4 - 1	1 - 2	2 - 3
kg	0,55	0,57	0,60	0,74

Item	9320AX	9321AX	9322AX	9323AX
kg	1 - 2,5	2 - 4	4 - 6	6 - 8
kg	1,67	1,90	1,98	2,28