

9310-9313

9310NY-9313NY



	Aluminium
	1600 mm
	Stainless steel rope (std)
	Polypropylene rope (type NY)
	0.2 - 3 kg

Rugged construction - cast aluminium body
 Stainless Steel rope
 Optional Polypropylene rope (see type 'NY')
 Adjustable capacity
 Safety suspension
 Adjustable stroke limiting device
 Anti-friction cable guide
 Inert spring drum assembly
 Polyamide thimbles

9320-9323

9320NY-9323NY



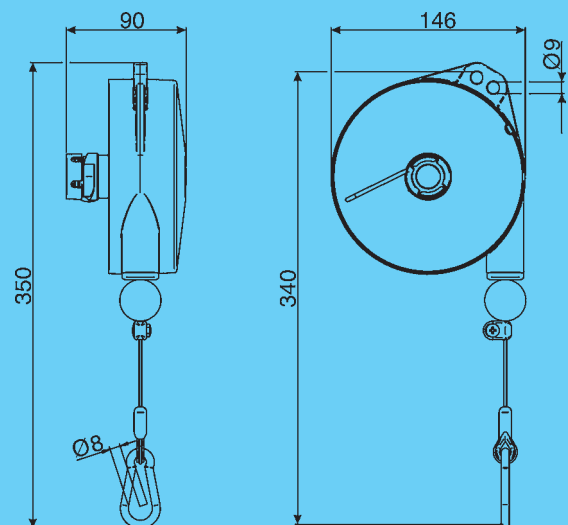
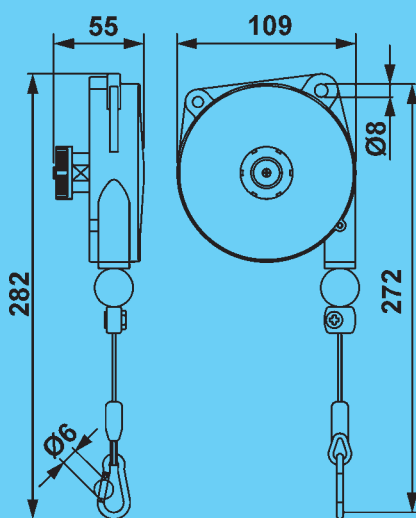
	Aluminium
	2000 mm
	Stainless steel rope (std)
	Polypropylene rope (type NY)
	1 - 8 kg

Rugged construction - cast aluminium body
 Stainless Steel rope
 Optional Polypropylene rope (see type 'NY')
 Adjustable capacity
 Safety device to prevent load falling in event of spring failure (>3kg)
 Safety suspension
 Adjustable stroke limiting device
 Anti-friction cable guide
 Inert spring drum assembly
 Polyamide thimbles



Opz. 37827

Rubbered protection for range of balancers
 Item 9320, 9321, 9322, 9323.



Item	9310 9310NY	9311 9311NY	9312 9312NY	9313 9313NY
kg	0,2 - 0,5	0,4 - 1	1 - 2	2 - 3
kg	0,55	0,57	0,60	0,74

Item	9320 9320NY	9321 9321NY	9322 9322NY	9323 9323NY
kg	1 - 2,5	2 - 4	4 - 6	6 - 8
kg	1,67	1,90	1,98	2,28