

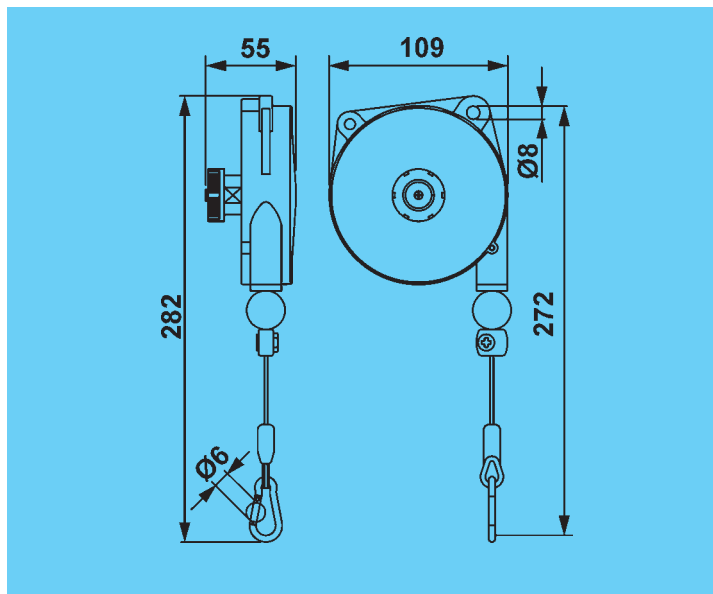
9300 - 9303 9300NY - 9303NY



	Nylon
	1600 mm
	Stainless steel rope (std)
	Polypropylene rope (type NY)
	0.2 - 3 kg



- Rugged construction - Nylon body
- Stainless Steel rope (std. version)
- Optional Polypropylenerope (see type 'NY')
- Adjustable capacity
- Safety suspension
- Adjustable stroke limiting device
- Anti-friction cable guide
- Inert spring drum assembly
- Polyamide thimbles



Item	9300 9300NY	9301 9301NY	9302 9302NY	9303 9303NY
kg	0.2 - 0.5	0.4 - 1	1 - 2	2 - 3
	0,43	0,46	0,49	0,64