

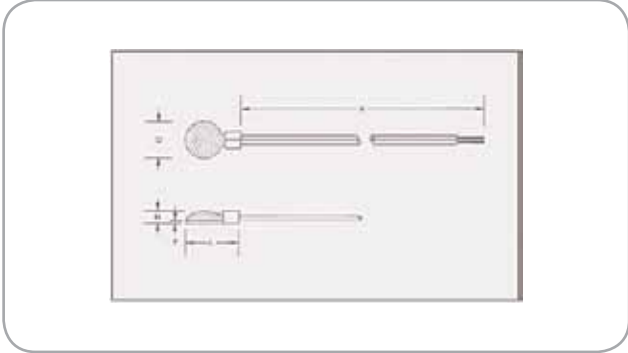
# General Purpose Sensors

## Adhesive Mounted Surface Sensors With Extension Leads

### Features

- Small diameter, thin metal disc sensors for mounting onto flat surfaces. Epoxy dome and small crimp tabs for strain relief.
- Small size, rectangular metal alloy push-on terminal mount for use on flat surfaces. Epoxy dome and small crimp tabs for strain relief.
- Small hook-up wire or ribbon cable extension leads.
- Epoxy encapsulation for strain relief.
- Twin conductor or ribbon cable extension leads.
- Hook-up wire extension leads or small ribbon cables.
- Integral support barrel and epoxy encapsulation provide better bend and strain relief for hook-up wire extension leads.
- Surface mount cup for use as skin sensors or on flat surfaces.
- Integral support barrel and epoxy encapsulation provide better bend and strain relief for extension cable.
- Small bead, disc or chip thermistor types <0.100" OD.
- Shielded/jacketed/coaxial cable extension leads.
- Maximum temp. ratings from 140°F to 500°F (60°C to 260°C).

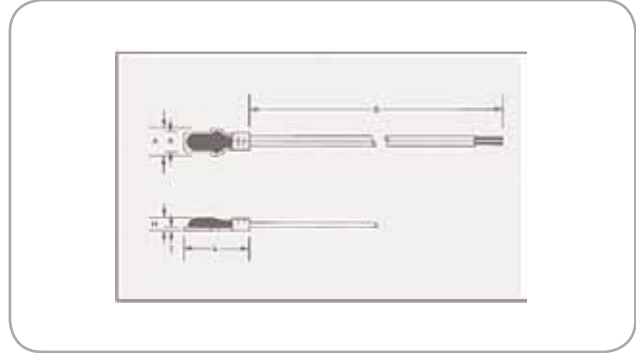
# Type M1000 Specifications



## Options

- Standard disc mount materials are stainless steel, aluminum, brass or beryllium-copper.
- Other materials are available on special order.
- Mount diameter "D" : from 0.187 in to 0.375 in (4.74 mm to 9.52 mm).
- Mount length "L": from 0.250 in to 0.375 in (6.35 mm to 9.52 mm).
- Thickness "T": from 0.005 in to .032 in (0.12 mm to 0.81 mm).
- Epoxy height "H" : from 0.080 in to 0.150 in (2 mm to 3.81 mm).
- Lead length "X" : 48 in (1219.2 mm) (typical).
- Lead-wire gauge sizes from #24 to #32 AWG.

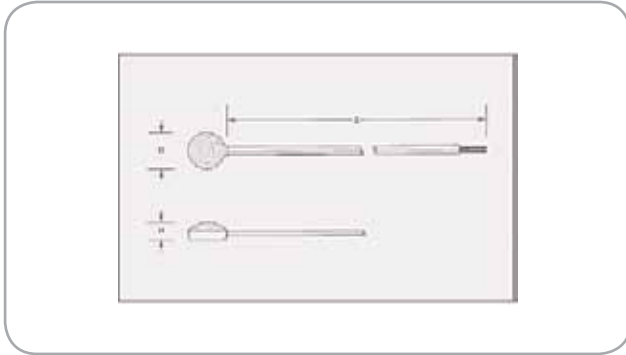
# Type M1100 Specifications



## Options

- Standard terminal materials are electro-tin-plated copper, nickel plated steel or nickel plated phosphor bronze.
- Terminal width "A": 0.250 in to 0.312 in (6.35 mm to 7.92 mm).
- Terminal width "B": 0.110, 0.187, 0.205 or 0.250 in (2.79, 4.74, 5.20 or 6.35 mm).
- Terminal thickness "T": from 0.016 in to 0.032 in (0.40 mm to 0.81 mm).
- Terminal length "L": from 0.500 in to 0.750 in (12.7 mm to 19.05 mm).
- Epoxy height "H": from 0.080 in to 0.150 in (2.03 mm to 3.81 mm).
- Lead length "X" : 48 in (1219.2 mm) (typical).
- Lead-wire gauge sizes from #24 to #32 AWG.

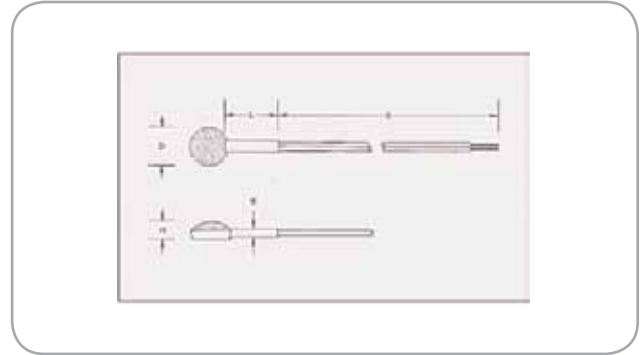
# Type M1200 Specifications



## Options

- Standard sensor cup material is stainless steel.
- Brass, aluminum or other materials available on special order.
- Cup diameter "D" : from 0.187 in to 0.375 in (4.74 mm to 9.52 mm).
- Epoxy height "H": from 0.095 in to 0.188 in (2.41 mm to 4.77 mm).
- Lead length "X" : 48 in (1219.2 mm) (typical).
- Lead-wire gauge sizes from #22 to #32 AWG.

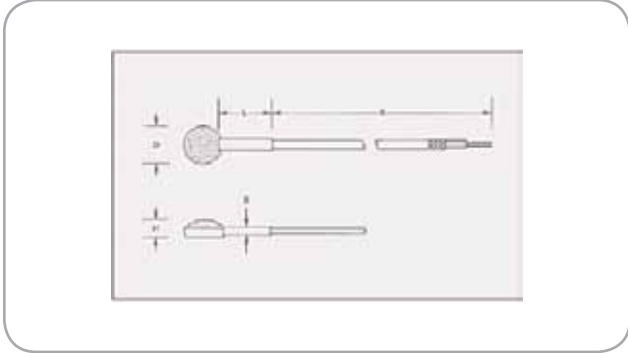
# Type M1300 Specifications



## Options

- Standard sensor cup and integral barrel material is stainless steel.
- Brass, aluminum or other materials available on special order.
- Cup diameter "D" : 0.375 in (9.52 mm) (typical), other available.
- Barrel diameter "B": from 0.125 in to 0.188 in (3.17 mm to 4.77 mm).
- Barrel length "L": from 0.500 in to 1.50 in (12.7 mm to 38.1 mm).
- Epoxy height "H": from 0.095 in to 0.188 in (2.41 mm to 4.77 mm).
- Lead length "X" : 48 in (1219.2 mm) (typical).
- Lead-wire gauge sizes from #22 to #32 AWG.

# Type M1400 Specifications



## Options

- Standard sensor cup and integral barrel material is stainless steel.
- Brass, aluminum or other materials available on special order.
- Cup diameter "D" : 0.375" (typical), other available.
- Barrel diameter "B": from 0.125 in to 0.188 in (3.17 mm to 4.77 mm).
- Barrel length "L": from 0.500 in to 1.50 in (12.7 mm to 38.1 mm).
- Epoxy height "H": from 0.095 in to 0.188 in (2.41 mm to 4.77 mm).
- Lead length "X" : 48 in (1219.2 mm) (typical).
- Lead-wire gauge sizes from #22 to #32 AWG.

**Amphenol**  
**Advanced Sensors**

[www.amphenol-sensors.com](http://www.amphenol-sensors.com)

© 2014 Amphenol Corporation. All Rights Reserved. Specifications are subject to change without notice.  
Other company names and product names used in this document are the registered trademarks or trademarks of their respective owners.

AAS-920-391A-04/2014