

T H E R M O M E T R I C S
A C O M M I T M E N T T O E X C E L L E N C E

NTC Type JB

Oven Sensor



Description

Glass-encapsulated thermistor housed in a stainless steel probe body with PTFE leadout wires, terminated with a connector assembly.

Features

- Continuous operation up to 392°F (200°C), excursions to 428°F (220°C)
- Insulation resistance >100 MΩ at 500 VDC
- Accurate temperature measurement
- Corrosion-resistant stainless steel housing
- Available using any device in the Thermometrics standard DK range
- Typical applications include domestic ovens and combination microwave ovens

Amphenol
Advanced Sensors

Type JB Specifications

General

Temperature Range

14°F to 392°F (-10°C to 200°C)

Insulation Resistance

>100 MΩ at 500 VDC

Wire Conductors

Nickel-plated copper 7 mm x 0.1 mm diameter or approximately 28 AWG

Wire Insulation

PTFE, white

Connector

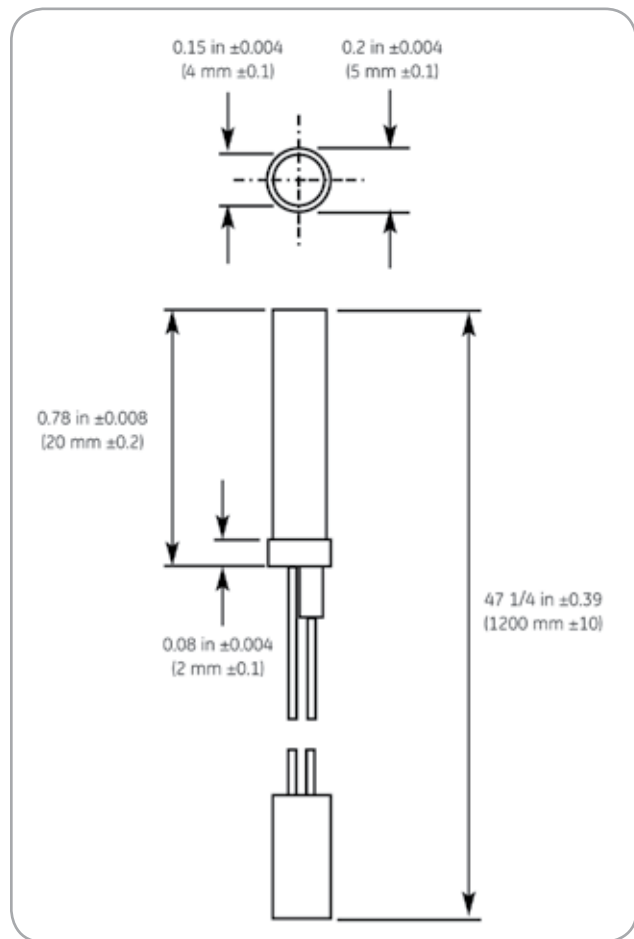
Lumberg 2.5MBC2 (or equivalent)

Probe Material

303 stainless steel

Resistance

Temperature characteristics, refer to DK data sheet



NTC Type JB dimensions

Options

- Other resistance—temperature characteristics
- Other connector types

Coding

Resistance/tolerance are specified in the product code (e.g. JBF104R2):

Example	Description	Standard Values
JB	Sensor style	
F104R2	Code of DK sensing element (e.g. DKF104R2)	See DK data sheet

Amphenol
Advanced Sensors

www.amphenol-sensors.com

© 2014 Amphenol Corporation. All Rights Reserved. Specifications are subject to change without notice. Other company names and product names used in this document are the registered trademarks or trademarks of their respective owners.

AAS-920-274a-04/2014