

T H E R M O M E T R I C S
A C O M M I T M E N T T O E X C E L L E N C E

Single Solar Sensor



Single Solar Sensors from Thermometrics are mounted on the IP panel near the front window. The single solar sensor has one photo diode cell inside and is used in the independent type ATC, by sensing the amount of light left to right, using angle light activating filters. The sensor uses the amount of outside sunlight coming into the vehicle to help control the vehicle's HVAC system.

Applications

- Air-conditioner HVAC system for automobiles

Features

- Fast response time
- Easy to install
- Compact design



Amphenol
Advanced Sensors

Solar Sensor Specifications

Measuring Condition

At 40,000 Lux

Output Signal

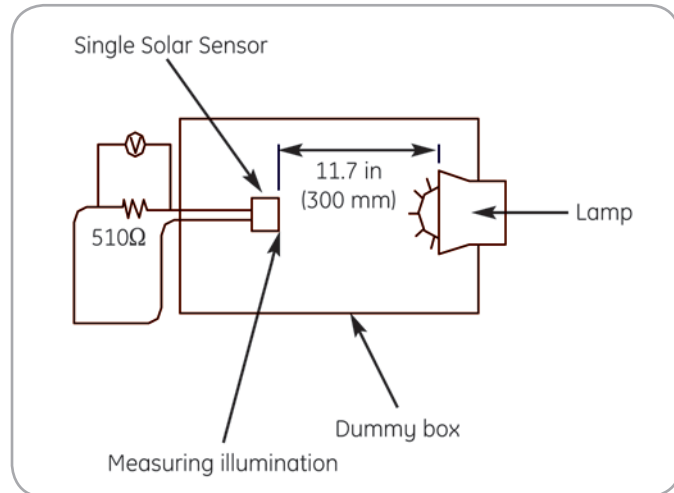
58.8 mV, ± 15 to 20%

Storage Temperature Range

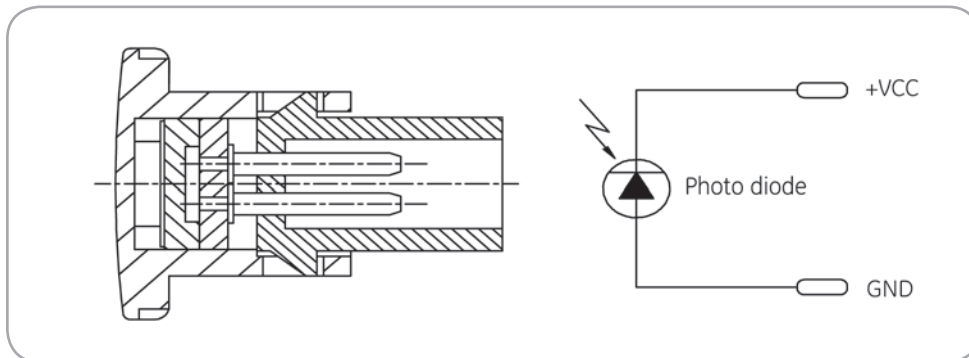
-13°F to 194°F (-25°C to 90°C)

Operating Temperature Range

-22°F to 212°F (-30°C to 100°C)



Test method for single solar sensor



Circuit diagram

Amphenol
Advanced Sensors

www.amphenol-sensors.com

© 2018 Amphenol Corporation. All Rights Reserved. Specifications are subject to change without notice. Other company names and product names used in this document are the registered trademarks or trademarks of their respective owners.

AAS-920-151C - 03/2018