



YORK
PORTABLE MACHINE TOOLS

BW-830 Bore Welder

ADVANTAGES

- Programmable – circular, segment, skip.
- Sets up on boring bar alignment plates
- Works with most competitors boring bar set ups
- Available attachment to perform facing and outside diameters
- All electrical connections made through one cable
- Welds bores too small for hand welding
- Easily weld bores difficult to reach
- 250 amp continuous duty
- Consumables available from local welding suppliers

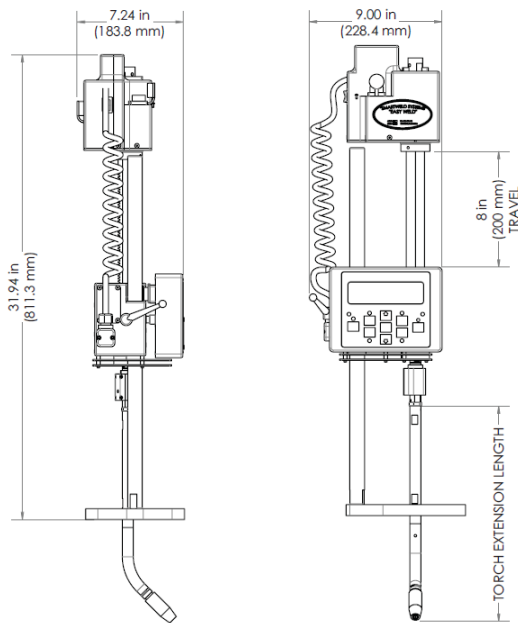


APPLICATIONS

- Logging
- Mining
- Construction
- Marine
- Pulp and Paper
- Manufacturing Industries
- Crushers
- Excavators – stick, boom mount, lift cylinder mount
- Gears and gear boxes
- Loaders, buckets
- Motor housings and shafts
- Pumps
- Turbines
- Custom designed applications

PRODUCT DESCRIPTION

The SPR York BW-830 is a fully programmable bore welder capable of auto-skip and segment welding. It is compatible with most wire feeder/power supply combinations and is made from highly conductive, corrosion & arc resistant alloys. Compared to hand welding the BW-830 can weld up to 75% faster, create a consistent weld with less distortion and expose the user to less fumes and smoke.



Welding Process	MIG/GMAW
Standard Bore Range	1.5 to 30 in (38 – 762 mm)
Optional Diameter Range	.5 to 45 in (16 – 999 mm)
Standard Weld Stroke	8 in (203 mm)
Optional Weld Stroke	12 and 18 in (304 and 457 mm)
Max. Weld Current	250 amp continuous
Precision Step Process	0 to .4 in (0 – 10 mm)
Welding Wire Size	.030 to .045 in (.9 – 1.2 mm)
Standard Extensions	48 in (1219 mm)
Optional Extensions	180 in (4572 mm)
Operation Modes	Circular ID, Segment, Skip, Unidirectional / Bidirectional, Weld Depth, Repeat Depth, Resume Depth, Conical welding, Facing mode, OD with attachments.
Multi-Skip Welding	Standard 1 – 9
Programmable Torch Positioning	Standard
Control Box	Hand Held or Machine Mounted
Welding Power Recommended	CV type
Wire Feeder Required	Burn back control
Recommended	4 Drive Rolls
Power Supply Requirements	120 V 50/60 Hz 230 V 50/60 Hz
Component Weights	Standard kit 85 lbs (38.6 kg) Bore welder 20 lbs (9.0 kg) Power supply 3 lbs (1.4 kg)
Pelican Case	Included



833.447.3777



info@sprtool.com



sprtool.com

Follow us on social media:

