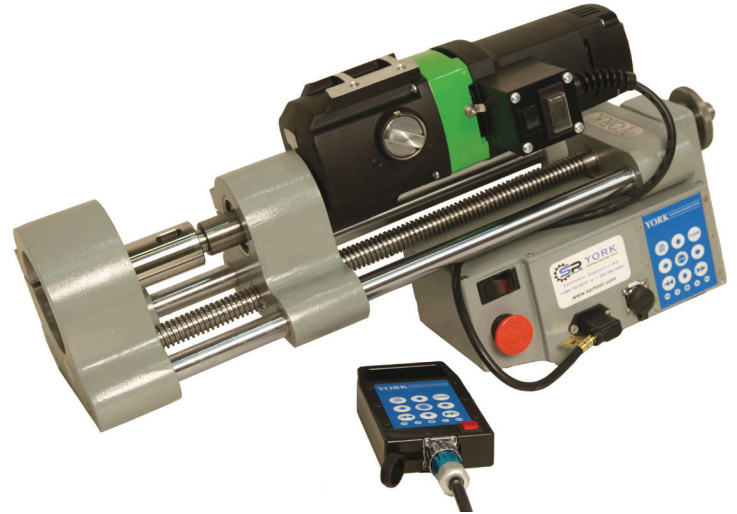




4-14 ET Line Boring Machine

ADVANTAGES

- Portable - Powerful - Flexible
- Electric: Brand new, higher torque, four variable-speed boring bar drive
- Faster speeds for better results 80/130/360/570 rpm
- Variable feed speeds with 14 in (358 mm) tool travel and rapid traverse
- Line boring from 1.5 in - 16 in (38.1 mm - 406.4 mm) with our electric drives or up to 24 in (609.6 mm) with our hydraulic bar drive
- Line bore vertically or horizontally
- Calibration wrench available to accurately adjust the cutting tool
- Digital touch pad, LED indicator lighting, optional remote
- Universal mount for line boring and bore welding – allowing you to set up ahead while you work
- Available in 110V or 240V 50/60 Hz
- Factory trained dealer representatives provide demos and training for line boring and bore welding
- Hydraulic Options: Three powerful variable-speed motors to choose from

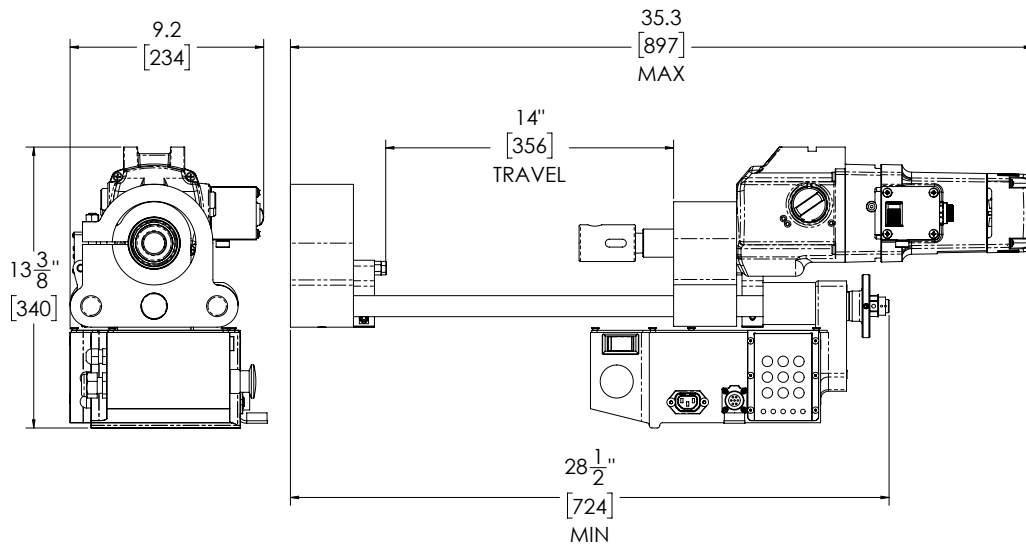


APPLICATIONS

- | | | |
|----------------|----------------------------|--------------------|
| • Logging | • Paper | • Loaders, Buckets |
| • Mining | • Manufacturing Industries | • Motor Housings |
| • Construction | • Crushers | • Pumps |
| • Marine | • Excavators | • Turbines |
| • Pulp | • Gears and Gear Boxes | |

PRODUCT DESCRIPTION

The 4-14 ET (electric touch) portable line boring machine is our finest yet, proven dependable and extremely powerful. Shown above with our new high-torque Eibenstock 34 four variable-speed motor, this combination makes the 4-14 ET extremely portable. A unique feature is the variable speed feed system with rapid traverse. This feed system provides 14 in (358 mm) of cutting tool travel. Our control panel adds ease to the operation. Reduce your heavy equipment down time with the 4-14 ET portable line-boring machine.



4-14 ET Full Function Electric Feed Carriage

Cutting Tool Travel	14 in (358 mm)
Feed Speeds	0 – 2.5 in per minute (64 mm per minute)
Feed Torque	200 in-lbs. (22.6 Nm)
Rapid Traverse	9 in per minute (228 mm per minute)
Weight	61 lbs (27.6 kg)

Manual Feed Carriage

Cutting Tool Travel	14 in (358 mm)
Manual Feed Carriage Weight	36 lbs (16.3 kg)
Upgradeable to full function	

Electric Bar Drive - Eibenstock 4 Variable-Speed

Bore Diameters	1.5 to 16 in (up to 24 in w/hydraulic) 38.1 to 406.4 mm (up to 609.6 mm w/hydraulic)
Power Options	110 or 240 V 50/60 Hz 110 V – 20 amps 3 hp (2200 W)
Bar Drive Torque	114 ft-lbs torque (154.56 Nm)
4 Variable-Speed Reversible Bar Drive Motor Weight	19.5 lbs (8.8 kg)

Hydraulic Bar Drives

Electronic (HBD-E) & Manual (HBD-M) to be Used With 5HP Hydraulic Power Units Reversible Hydrostatic Drive

Variable Rotational Bar Drive Motors	90 rpm, 333 ft-lb torque (449 Nm) 150 rpm, 208 ft-lb torque (280 Nm) 280 rpm, 106 ft-lb torque (141 Nm)
Bar rotation lock valve mounted on bar drive	
Hydraulic Bar Drive Motor Weight	26 lb (12 kg)

