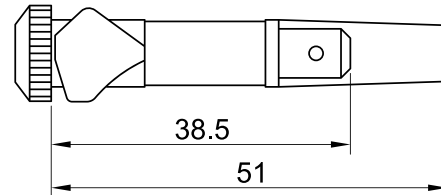
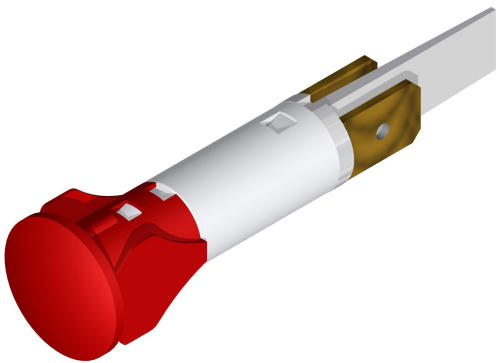




SLIM S.r.l.

Via dei Tigli, 14/16 (Z.I.)
20853 - Biassono (Monza Brianza) - Italy
commerciale@slim.it
www.slim.it

CODE: **TBF/010/SR**

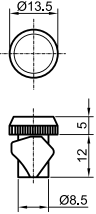
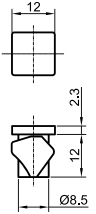
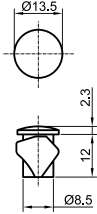
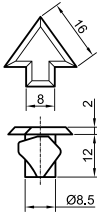
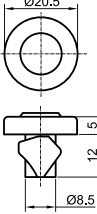
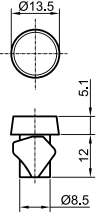
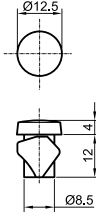
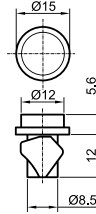
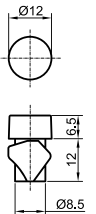
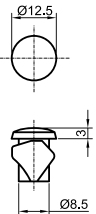
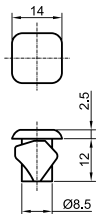
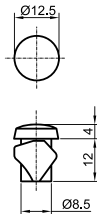
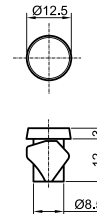
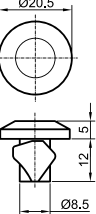
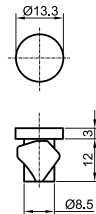


Light indicator with self-locking connection

It can be supplied with mounted or separated lens

Lamps	incandescent • neon/fluoro • LED
Working Voltage	2V • 6V • 12V • 24V • 48V • 110V • 250V • 400V
Working temperature	120°C Max • 150°C Max
Hole diameter	10mm
Recommended thickness panel	from 0,5mm to 2,5mm
Method of connection to the panel	with nut
Type of connection	male faston6,3x0,8mm • male faston4,8x0,8mm
Type of lens	SR1 • SR2 : SR3 • SR4 • SR5 • SR6 , SR7 • SR8 , SR9 • SR10 • SR11 • SR12 • SR13 • SR14 • SR15 • SR16

Lenses available

<p>SR 1</p> 	<p>SR 2</p> 	<p>SR 3</p> 	<p>SR 4</p> 	<p>SR 5</p> 	<p>SR 6</p> 	<p>SR 7</p> 	<p>SR 8</p> 
<p>SR 9</p> 	<p>SR 10</p> 	<p>SR 11</p> 	<p>SR 12</p> 	<p>SR 13</p> 	<p>SR 14</p> 	<p>SR 15</p> 	<p>SR 16</p> 