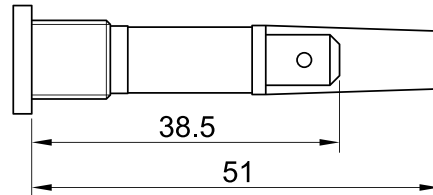
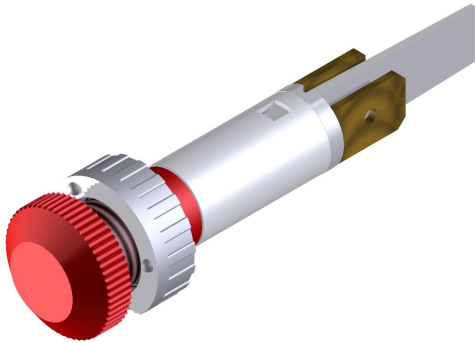




**SLIM S.r.l.**

Via dei Tigli, 14/16 (Z.I.)  
20853 - Biassono (Monza Brianza) - Italy  
[commerciale@slim.it](mailto:commerciale@slim.it)  
[www.slim.it](http://www.slim.it)

CODE: **TBF/010/SC**

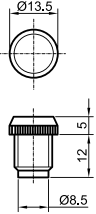
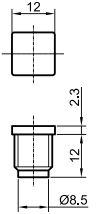
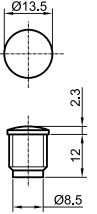
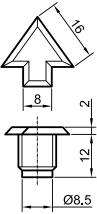
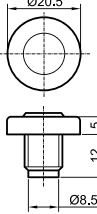
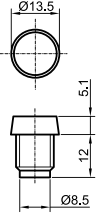
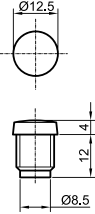
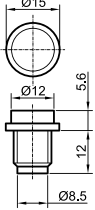
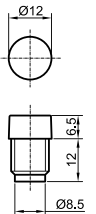
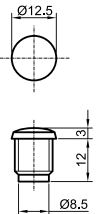
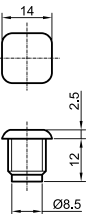
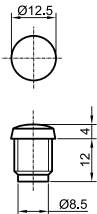
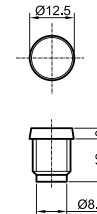
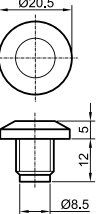
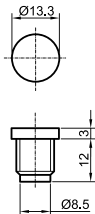


Light indicator with nut locking

It can be supplied with mounted or separated lens and nut

Lamps	incandescent • neon/fluoro • LED
Working Voltage	2V • 6V • 12V • 24V • 48V • 110V • 250V • 400V
Working temperature	120°C Max • 150°C Max
Hole diameter	10mm
Recommended thickness panel	from 0,5mm to 5mm
Method of connection to the panel	with nut
Type of connection	male faston 6,3x0,8mm • male faston 4,8x0,8mm
Type of connection	SC1 • SC2 • SC3 • SC4 • SC5 • SC6 • SC7 • SC8 • SC9 • SC10 • SC11 • SC12 • SC13 • SC14 • SC15 • SC16

## Lenses available

<p>SC 1</p> 	<p>SC 2</p> 	<p>SC 3</p> 	<p>SC 4</p> 	<p>SC 5</p> 	<p>SC 6</p> 	<p>SC 7</p> 	<p>SC 8</p> 
<p>SC 9</p> 	<p>SC 10</p> 	<p>SC 11</p> 	<p>SC 12</p> 	<p>SC 13</p> 	<p>SC 14</p> 	<p>SC 15</p> 	<p>SC 16</p> 