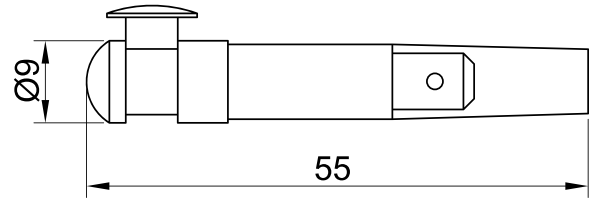
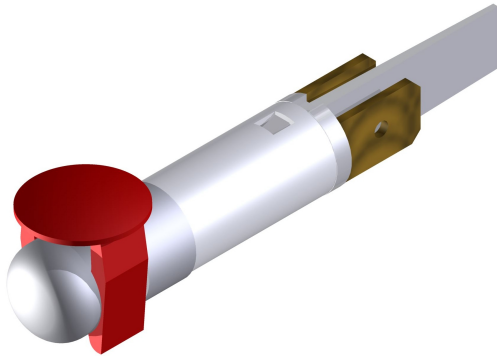




SLIM S.r.l.

Via dei Tigli, 14/16 (Z.I.)
20853 - Biassono (Monza Brianza) - Italy
commerciale@slim.it
www.slim.it

CODE: **TBF/TP/G**



The front panel plug-in lens is connected with the indicator's body set on the back of the panel at the drilling template's position

The indicator is set parallel to the panel to reduce the internal encumbrance

Lamps	incandescent • neon/fluoro • LED
Working Voltage	2V • 6V • 12V • 24V • 48V • 110V • 250V • 400V
Working temperature	120°C Max • 150°C Max
Hole dimensions	5mm x 10mm
Recommended thickness panel	from 0,8mm to 1,5mm
Method of connection to the panel	self-locking
Type of connection	male faston6,3x0,8mm • male faston4,8x0,8mm
Wire ends	on request
Type of lens	G1 • G2

Lenses available

