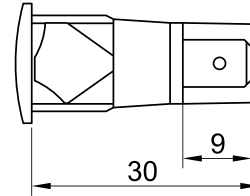
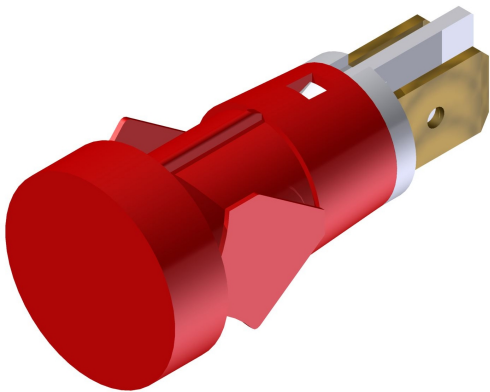




**SLIM S.r.l.**

Via dei Tigli, 14/16 (Z.I.)  
20853 - Biassono (Monza Brianza) - Italy  
[commerciale@slim.it](mailto:commerciale@slim.it)  
[www.slim.it](http://www.slim.it)

CODE: **TBF/013/SFY**

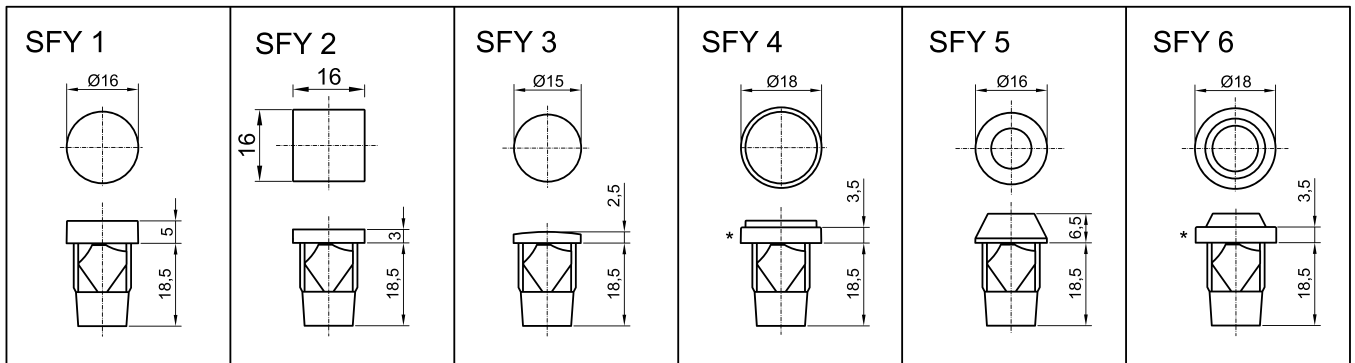


Light indicator with self-locking connection

The compact shape allows a minimum internal encumbrance

Lamps	incandescen • neon/fluoro • LED
Working Voltage	2V • 6V • 12V • 24V • 48V • 110V • 250V • 400V
Working temperature	120°C Max • 150°C Max
Hole diameter	13mm
Recommended thickness panel	from 0,8mm to 2mm
Method of connection to the panel	self-locking
Type of connection	male faston6,3x0,8mm • male faston4,8x0,8mm
Type of lens	SFY1 • SFY2 • SFY3 • SFY4 • SFY5 • SFY6

Lenses available



\* Ghiera in metallo - Metal ring