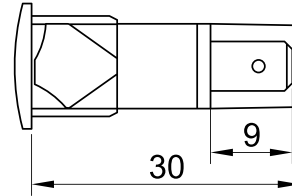
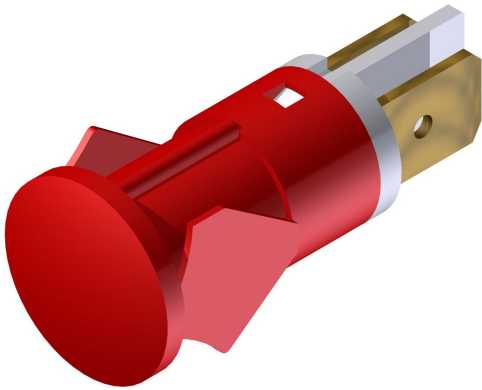




SLIM S.r.l.

Via dei Tigli, 14/16 (Z.I.)
20853 - Biassono (Monza Brianza) - Italy
commerciale@slim.it
www.slim.it

CODE: **TBF/012/SDY**

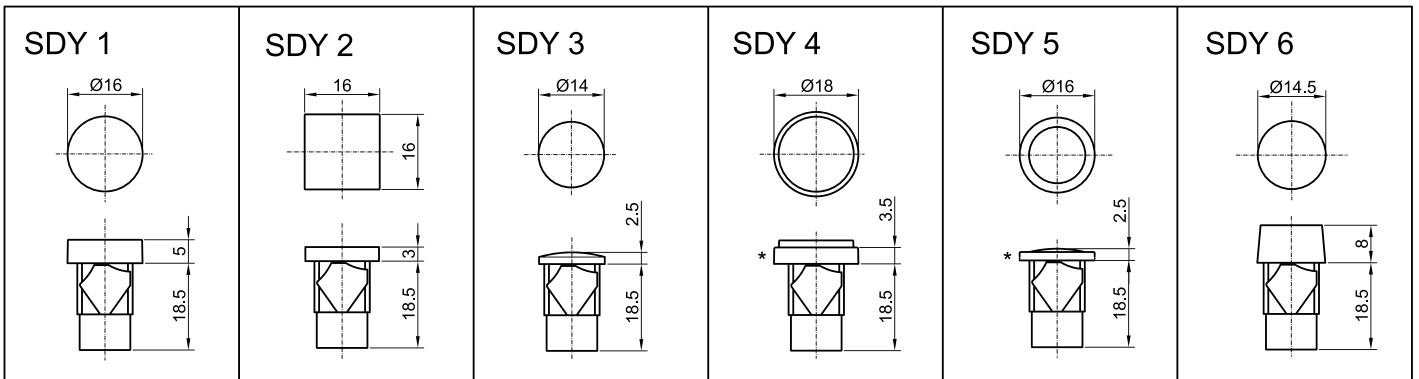


Light indicator with self-locking connection

The compact shape allows a minimum internal encumbrance

Lamps	incandescent • neon/fluoro • LED
Working Voltage	2V • 6V • 12V • 24V • 48V • 110V • 250V • 400V
Working temperature	120°C Max • 150°C Max
Hole diameter	12mm
Recommended thickness panel	from 0,8mm to 2mm
Method of connection to the panel	self-locking
Type of connection	male faston6,3x0,8mm • male faston4,8x0,8mm
Type of lens	SDY1 • SDY2 • SDY3 • SDY4 • SDY5 • SDY6

Lenses available



* Ghiera in metallo - Metal ring