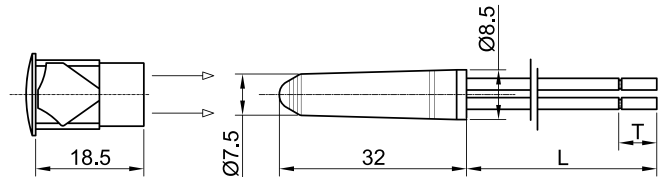
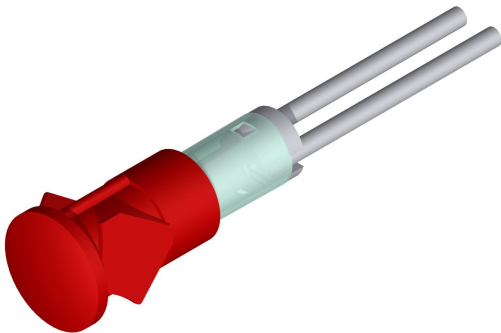




SLIM S.r.l.

Via dei Tigli, 14/16 (Z.I.)
20853 - Biassono (Monza Brianza) - Italy
commerciale@slim.it
www.slim.it

CODE: **TB/SLTS/SDY**



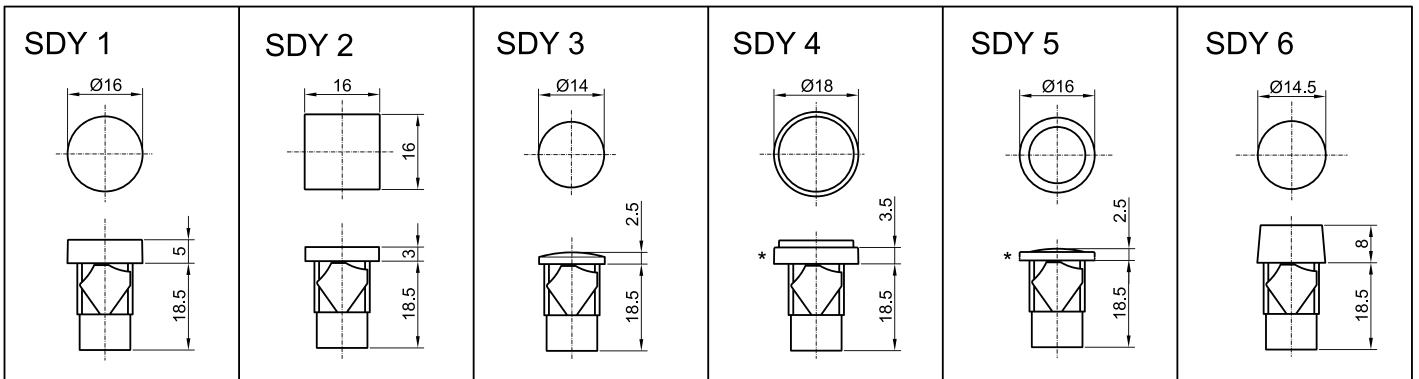
Light indicator with self-locking connection

It can be supplied with mounted or separated lens

It can be supplied with IP65 (total impermeability)

| | |
|-----------------------------------|---------------------------------------------------|
| Lamps | incandescent • neon/fluoro • LED |
| Working Voltage | 2V • 6V • 12V • 24V • 48V • 110V • 250V • 400V |
| Working temperature | 90°C Max • 120°C Max • 150°C Max |
| Hole diameter | 12mm |
| Recommended thickness panel | from 0,8mm to 2mm |
| Method of connection to the panel | self-locking |
| Type of connection | PVC cable • silicone cable • silicone-glass cable |
| Wire ends | on request |
| Type of lens | SDY1 • SDY2 • SDY3 • SDY4 • SDY5 • SDY 6 |

Lenses available



* Ghiera in metallo - Metal ring