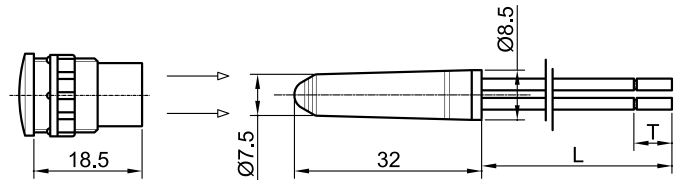
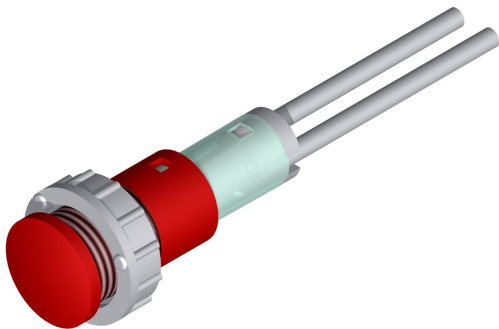




**SLIM S.r.l.**

Via dei Tigli, 14/16 (Z.I.)  
20853 - Biassono (Monza Brianza) - Italy  
[commerciale@slim.it](mailto:commerciale@slim.it)  
[www.slim.it](http://www.slim.it)

CODE: **TB/SLTS/SDK**



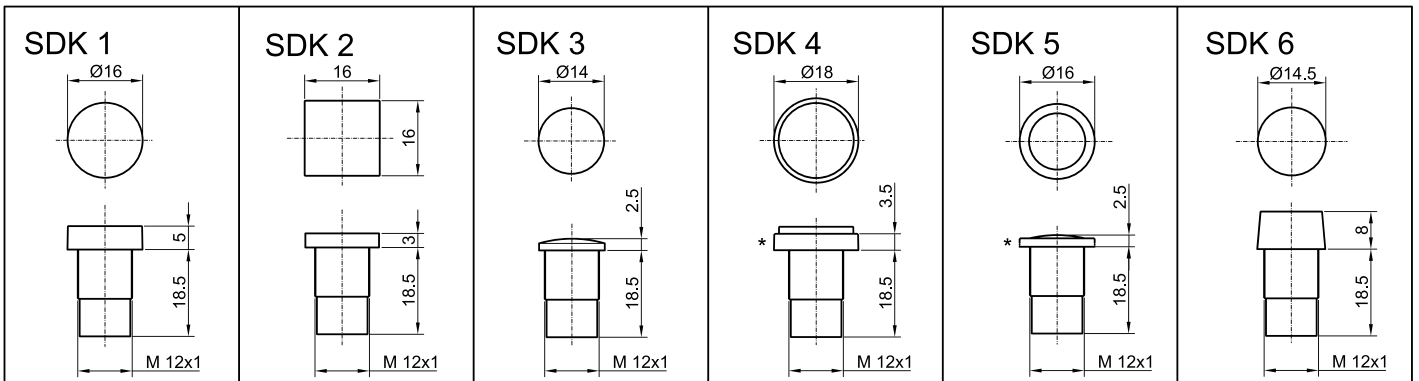
Light indicator with nut locking

It can be supplied with mounted or separated lens and nut

It can be supplied with IP65 (total impermeability)

Lamps	incandescent • neon/fluoro • LED
Working Voltage	2V • 6V • 12V • 24V • 48V • 110V • 250V • 400V
Working temperature	90°C Max • 120°C Max • 150°C Max
Hole diameter	12mm
Recommended thickness panel	from 0,5mm to 5mm
Method of connection to the panel	with nut
Type of connection	pvc cable • silicone cable • silicone-glass cable
Wire ends	on request
Type of connection	SDK1 • SDK2 • SDK3 • SDK4 • SDK5 • SDK6

Lenses available



\* Ghiera in metallo - Metal ring