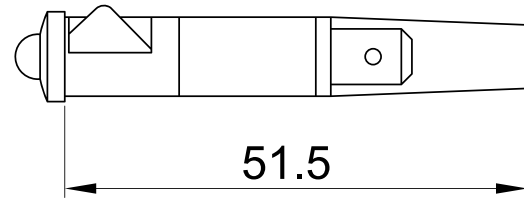
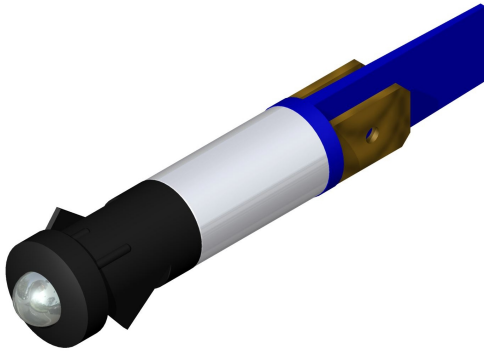




**SLIM S.r.l.**

Via dei Tigli, 14/16 (Z.I.)  
20853 - Biassono (Monza Brianza) - Italy  
[commerciale@slim.it](mailto:commerciale@slim.it)  
[www.slim.it](http://www.slim.it)

CODE: **LDF/09**



LED light indicator with front panel's connection

The color of the LED light is identified by the partition between the 2 fastons

AC/DC working without the need of any polarization of the signal

|                                   |  |
|-----------------------------------|--|
| Lamps                             | LED  |
| Working Voltage                   | 2V • 6V • 12V • 24V • 48V • 110V • 250V • 400V |
| Working temperature               | 120°C Max                                      |
| Hole diameter                     | 9mm  |
| Recommended thickness panel       | from 0,5mm to 5mm                              |
| Method of connection to the panel | self-locking                                   |
| Type of connection                | male faston6,3x0,8mm • male faston4,8x0,8mm    |
| Type of lens                      | 09/01  |
| Color's lens                      | Black or chromium plated lens                  |

Lenses available

