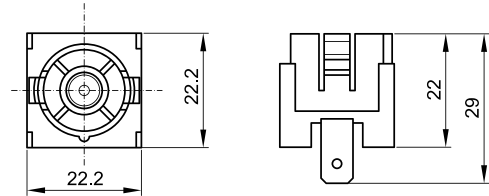
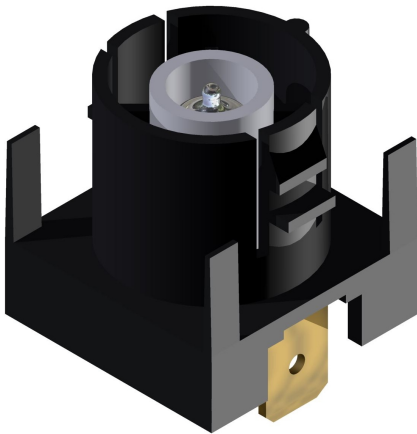




**SLIM S.r.l.**

Via dei Tigli, 14/16 (Z.I.)  
20853 - Biassono (Monza Brianza) - Italy  
[commerciale@slim.it](mailto:commerciale@slim.it)  
[www.slim.it](http://www.slim.it)

CODE: **F1**



Heat retained indicator with 1 light point

Lamps	incandescent • neon/fluoro • LED
Working Voltage	2V • 6V • 12V • 24V • 48V • 110V • 250V • 400V
Working temperature	180°C Max • 200°C Max
Method of connection	Self-locking