



# ADVANCED MANUFACTURING TECHNOLOGY

EST. 1996

ANYSIZE® PRODUCT LINE FOR CANS

AUGUST, 2021

# ANYSIZE® HISTORY

2008

2011

2012

2014

2015

2017

2021

## *Anysize® for Mechanical Conveyor*

- Anysize® becomes prominent for high change over mechanical conveyance

## *Case Anysize® Launched*

- 100,000 Positioners Sold, 100+ Lines
- Neck Positioner Patent Awarded

## *Compact Anysize® Launched*

- Updated Precision Anysize®
- Longer Stokes for Wash-down applications

## *Anysize® Technology*

- Anysize® technology is introduced for neck ring air conveyor and becomes dominant for self-man

## *Anysize® Patent Awarded*

- Anysize® available for neck guides
- Compact Anysize® design developed for case conveyor applications

## *EU Patent Awarded*

- Distribution expansion

# ANYSIZE® SYSTEM OVERVIEW

---

- Infinite positioning for Automatic guide rails and numerous changeover applications
  - Run any can body diameter and height on the same line
  - Automatically adjust top cover height on mass conveyor
  - Add as many new product sizes as you want
- PLC based and Manual control options
- Robust and maintenance free
- Hundreds of Anysize® lines in operation
- Patented in the US and Europe



# EASY TO RETROFIT ON EXISTING LINES

- Positioner assemblies bolt or clamp directly to most existing conveyor down brackets, no fabrication necessary
- No Wires- 3/8" Poly air lines are the only lines connecting the RAD box to the line
- Plumbing schematics provided- plumbing is simple with provided quick connect air line fittings
- Regulated Air Distribution (RAD) box controls require only a single air and 120 VAC drop



# ROBUST AND MAINTENANCE FREE

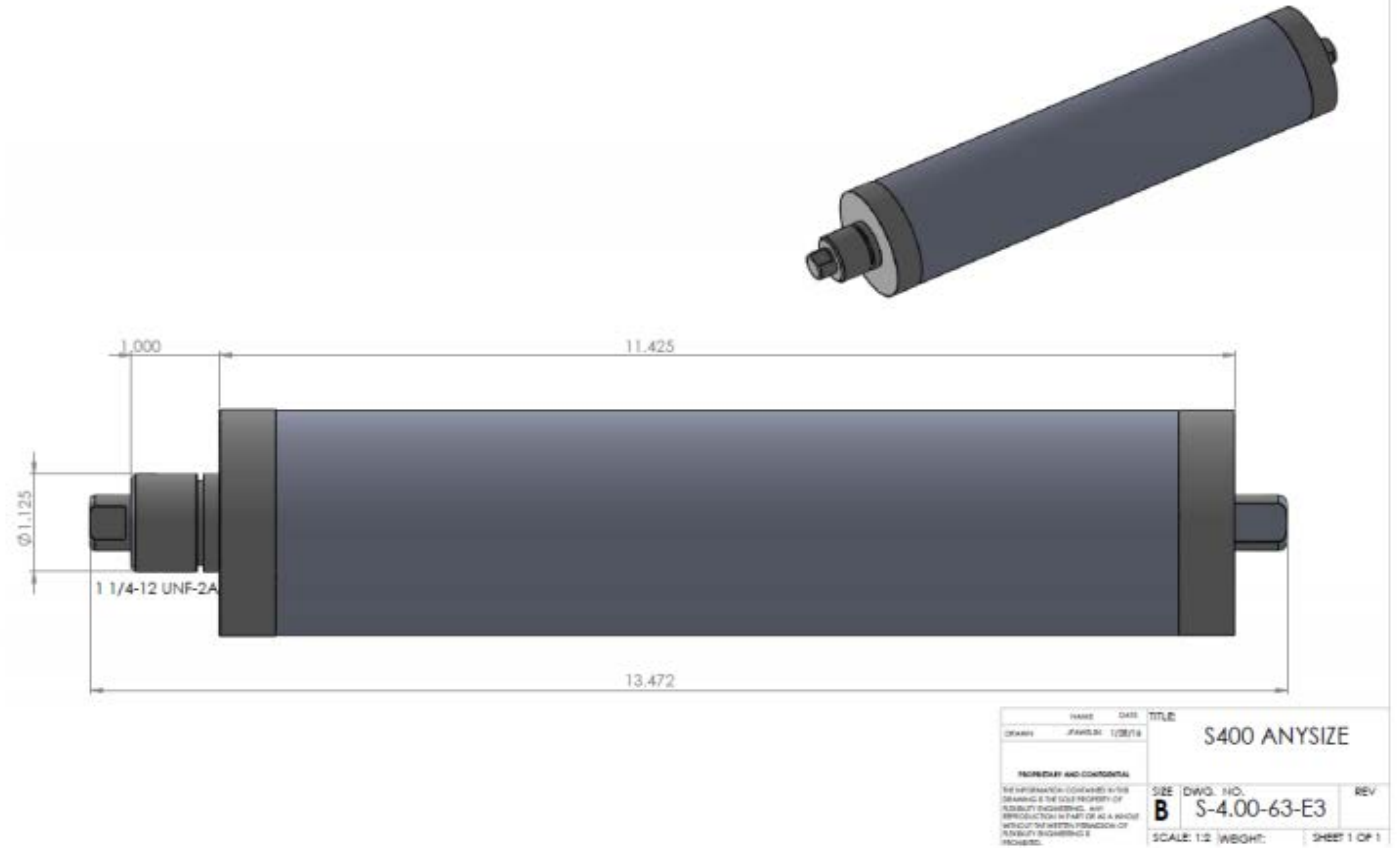
- Designed for 1,000,000+ cycles, 5 year Manufacturers warranty
- Tested to 100,000 cycles with 100% repeatability
- No warranty replacements since product inception in 2007

# S400 ANYSIZE®

- S400 - Anysize® positioner
  - Stroke: 0 - 4.00in (0-100mm)
  - Diameter: 2.57in (65mm) cylinder
  - Length: 13.47in (330mm) retracted
  - Rod Thread: Female M8
  - Nose Mount M30x1.5
  - Accuracy: +/- 0.039 in (1mm)
  - Operating Pressure: 10-100 psi

- 316 SST for wash-down applications
- Stainless steel body construction

**Uses:** Side Guides, Top Guide, Aseptic



# CONTACTS

## **ANYSIZE® PROJECT MANAGER:**

Brad Hammond

970-217-7710

bhammond@flexibilityengineering.com

## **ANYSIZE SALES COORDINATOR:**

Rebecca Tolbert

rtolbert@flexibilityengineering.com



**THANK YOU**

**3920 PATTON AVE, LOVELAND, CO 80538, USA**