

STERILE-Z™ Mayo Stand Cover, non-sterile

Intended for use with: Surgical Mayo Stands

REF 5582NS


Catalog Number

LOT 1234567890

Batch Code

 2009-01-22

Date of Manufacture

 2014-01-22

Use By Date

INTENDED FOR FURTHER PROCESSING



Non-Sterile



Do Not
Re-use



Not Made With
Natural Rubber
Latex



Contains
No PVC



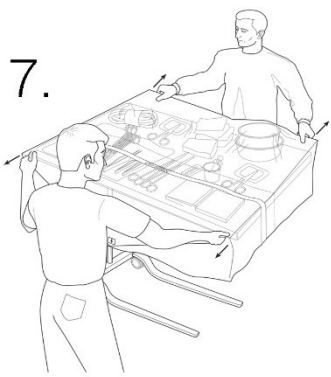
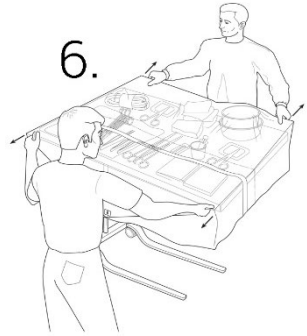
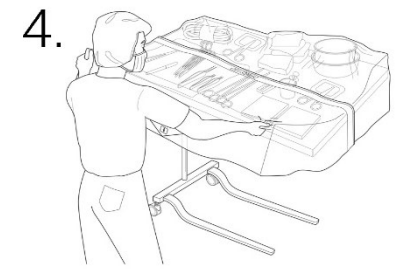
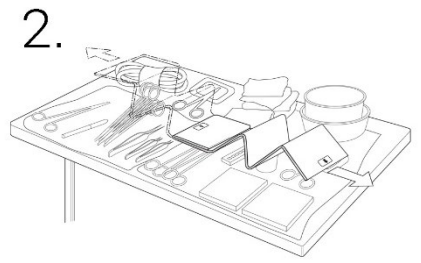
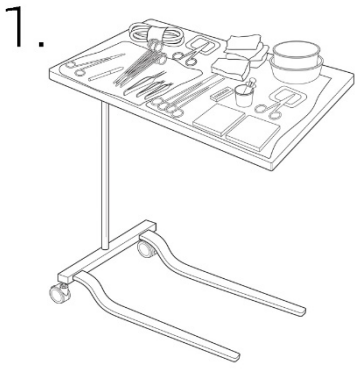
See
Instructions



Manufactured By:
TIDI Products, LLC
570 Enterprise Drive
Neenah, WI 54956 USA
1.800.521.1314 +1.920.751.4300
www.tidiproducts.com

For US and Foreign patent information, see
go.tidiproducts.com/patents





Always follow your facility's PPE protocols.