

SR630

ROUGH TERRAIN TELEHANDLER



- Full-time 4 wheel drive
- Fully enclosed cab
- Power assisted steering
- Proportional joystick
- Simple to operate & maintain

 **snorkel**
www.snorkellifts.com

ROUGH TERRAIN TELEHANDLER

SR630

CAPABILITIES SR630

| | |
|----------------------|---------|
| Max. lift capacity | 2,721kg |
| Max. lift height (A) | 9.19m |
| Max. forward reach | 5.61m |

DIMENSIONS

| | |
|--------------------------|-------|
| Overall Width (B) | 1.9m |
| Stowed height (C) | 2.1m |
| Length to fork face (D)* | 4.9m |
| Wheelbase | 2.9m |
| Ground clearance | 355mm |

PERFORMANCE

| | |
|-----------------------------|----------------------|
| Max. drive speed | 24.1km/h |
| Raise/lower time | 10/10sec |
| Frame leveling | 6° |
| Hydraulic flow (per minute) | 98.4L |
| Hydraulic pressure | 241.3bar |
| Hydraulic oil capacity | 189.2L |
| Fuel capacity | 98.4L |
| Outside turning radius | 3.3m |
| Tires | 12.5/80-18 Pneumatic |

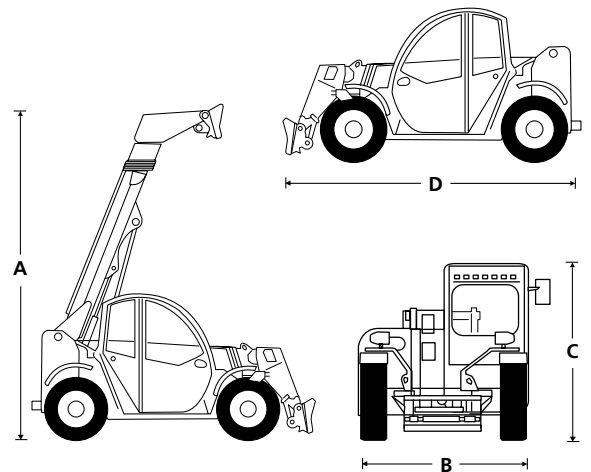
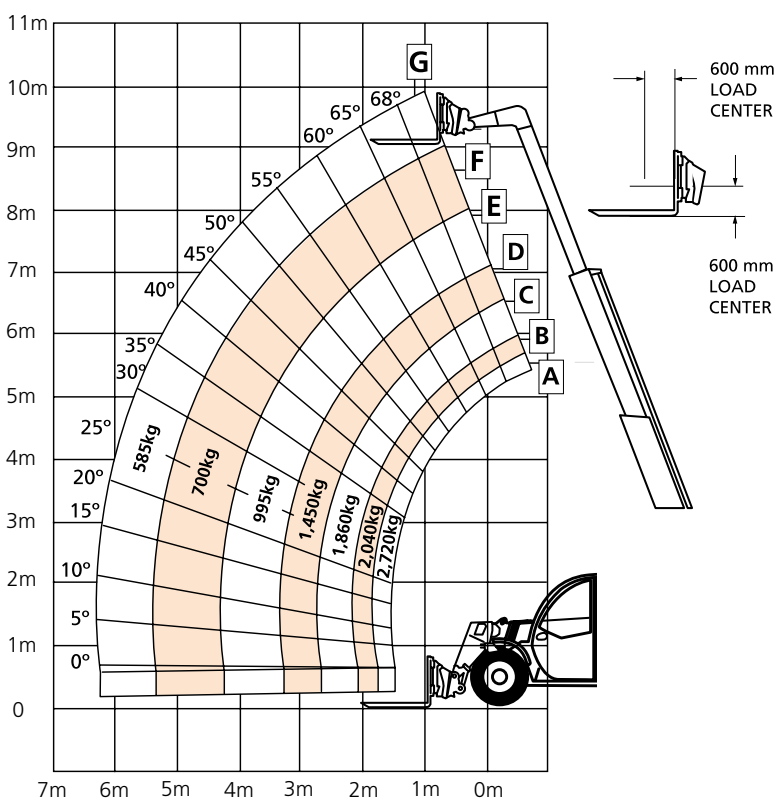
POWER

| | |
|--------------|-----------------------------------|
| Power source | Deutz TLD 2.9L 74 hp Tier 4 Final |
|--------------|-----------------------------------|

WEIGHT

| | |
|--------|---------|
| Weight | 6,214kg |
|--------|---------|

LOAD CHART



STANDARD FEATURES

- 360° operator visibility
- Large cross section boom with wear pads
- Steel hydraulic & fuel tanks
- Plastic dash with display screen
- Easy service access
- Hydrostatic 2 speed transmission
- Front and rear limited slip axles
- Plastic fenders
- Easy cab mounted grab handles
- Solid steel plate chassis
- Melonite pins
- Machine lift points
- 1.21m fixed carriage
- 1.21m pallet forks
- LED boom work lights
- 2 year parts & labor, 5 year structural warranty
- ANSI compliant

OPTIONS

- Special paint colors
- Multiple options for carriages, tires and fork tines
- Flashing amber lights
- Swivel hook
- Backup cameras
- Universal skid steer attachment
- CSA compliant

snorkel www.snorkellifts.com

P.O. Box 1160
 St. Joseph, MO 64502-1160, USA
 Tel: 1 (785) 989-3000
 Toll-free: 1 (800) 255-0317
 Fax: 1 (785) 989-3070
 Email: sales.usa@snorkellifts.com