

# S3006P/S3008P/S3010P

## PUSH-AROUND MINI SCISSOR LIFTS



- Simple to use; easy to maintain
- Lightweight and compact
- Easily passes through a standard doorway
- No stabilizers required
- Durable design for tough site conditions
- Platform heights of 6ft. 6in, 8ft. 2in, and 9ft. 10in.
- Proven benefits over other low level access products

**snorkel**  
[www.snorkellifts.com](http://www.snorkellifts.com)

# PUSH-AROUND MINI SCISSOR LIFTS

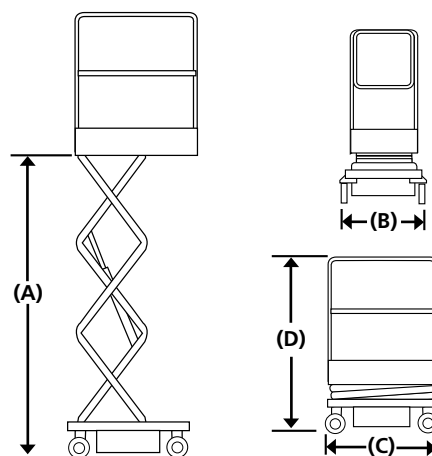
# S3006P 3008P/3010P

DIMENSIONS	S3006P	S3008P	S3010P
Max. working height	12 ft 6 in	14 ft 2 in	15 ft 10 in
Max. platform height (A)	6 ft 6 in	8 ft 2 in	9 ft 10 in
Platform size (outside)	43.3 in x 20.4 in	43.3 in x 20.4 in	43.3 in x 20.4 in
Platform capacity (SWL)	529 lbs	500 lbs	430 lbs
Overall width (B)	2 ft 4 in	2 ft 4 in	2 ft 4 in
Overall length (C)	3 ft 11 in	3 ft 11 in	3 ft 11 in
Stowed height (D)	5 ft 6 in	5 ft 10 in	5 ft 10 in

PERFORMANCE	S3006P	S3008P	S3010P
Max. wind speed	0 mph	0 mph	0 mph
Raise/lower time	8/14 sec	13/17 sec	19/26 sec

POWER	S3006P	S3008P	S3010P
Power source	12V DC battery		
Charger	Built in multi-voltage (90V - 240V)		

WEIGHT	S3006P	S3008P	S3010P
Weight	682 lbs	770 lbs	815 lbs



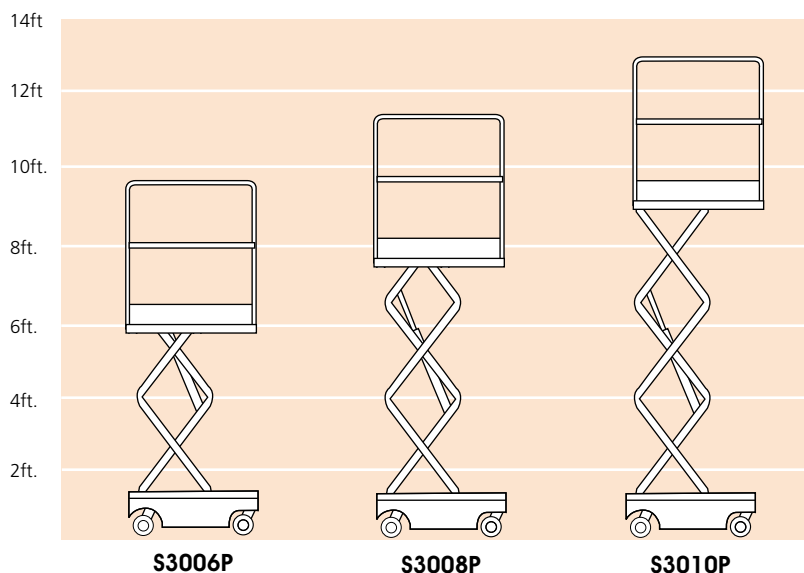
## STANDARD FEATURES

- Auto brake system
- Tilt sensor
- Saloon-door style entry gates
- Integrated battery charger 90V - 240V
- Battery charge indicator
- Forklift pockets
- Emergency lowering system
- Non-marking casters
- Slide-out service trays
- 2 year parts & labor, 5 year structural warranty
- ANSI compliant

## OPTIONS

- Special paint colors
- Environmental hydraulic oil
- CSA compliant

## WORKING HEIGHT



**snorkel** [www.snorkellifts.com](http://www.snorkellifts.com)

P.O. Box 1160  
St. Joseph, MO 64502-1160, USA  
Tel: 1 (785) 989-3000  
Toll-free: 1 (800) 255-0317  
Fax: 1 (785) 989-3070  
Email: sales.usa@snorkellifts.com