



... YOUR PARTNER IN  
LOADING DOCK SAFETY AND EFFICIENCY SOLUTIONS



**NOVA DOCK SEALS & SHELTERS**

# NOVA SEALING SYSTEMS



At NOVA, our expert production team combines pride in workmanship with superior design and select grade raw materials to manufacture products of optimal quality. We offer a wide variety of seals and shelters to fit your facility's needs for vehicle type, door size, dock height, driveway grade, dock traffic and weather conditions. NOVA works with our nationwide network of dealers to ensure that you receive the model most suited to your needs — custom fit to your loading dock.

## MAXIMUM ENERGY SAVINGS:

- Weather-tight enclosures
- Head curtain models available for extra protection from the elements

## EXCEPTIONAL VERSATILITY:

- Models are available to accommodate any type of truck
- Wide choice of fabric types, weights and colors

## EXTREMELY COST EFFECTIVE:

- Energy savings
- Safety and productivity
- Freight protection
- Security
- Storage

## ROBUST PERFORMANCE & DURABILITY:

- Rugged construction designed to withstand heavy traffic
- Cover material and wear pleats are top-grade fabrics providing superior performance and maximum durability
- NOVA MAX-1000™ heavy-duty polyester-based fabric with a polymer blend coating, features ultra-high abrasion resistance for the toughest environments; resulting in the highest puncture and tear resistance and abrasion resistance of any fabric in the industry
- High-density polyurethane foam provides long life and excellent resiliency characteristics
- Foam is bonded with high strength adhesive to select grade pressure-treated, kiln-dried wood framing for long-lasting installation
- Shelters include steel support bumpers
- Heavy-duty galvanized mounting hardware
- Seals feature brass grommets with spur washers for venting
- Velcro® brand attachments
- All sew lines are locked stitched utilizing heavy bonded polyester multifilament thread with UV protectant for extended life

## SEALING SYSTEMS

Sealing systems seal off the space between a parked trailer and the building (Figure 1). They help to maintain the internal climate, and they protect the freight against damage.

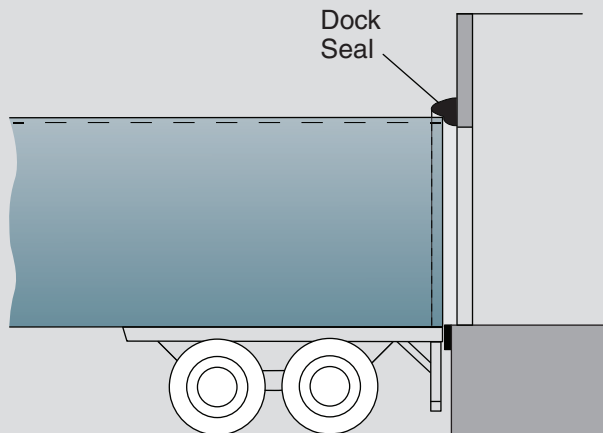


Figure 1

## SEALING SYSTEMS HAVE MANY BENEFITS:

- **Energy savings**—the system can quickly pay for itself in reduced heating and cooling costs by maintaining the building's interior temperature.
- **Safety and productivity**—eliminates dangerous precipitation from the loading areas. Worker productivity correlates to the workplace environment and its safety.
- **Freight protection**—protects freight against harmful weather and minimizes entry of vermin.
- **Security**—prevents product theft and unauthorized entry.
- **Storage**—docked trailers become secure, climate-controlled extensions of the building.

## THERE ARE TWO TYPES OF SEALING SYSTEMS:

- **Compression foam dock seals**—the seals are made of foam covered with fabric. They are mounted to the wall at the loading door and seal against the back of the truck.
- **Truck shelters**—truck shelters have a rigid frame equipped with curtains. The frame is installed to the building wall. The curtains extend and seal against the wall and the side of the truck (Figure 2).

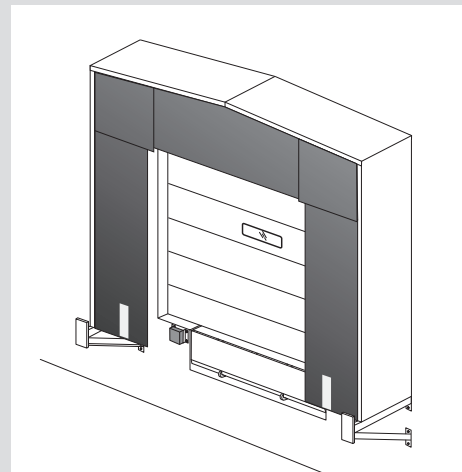


Figure 2

Both seals and shelters use abrasion-resistant industrial fabrics on their sealing surfaces due to the trailer movement during loading and unloading.

The building wall construction may determine the most suitable type of sealing system. Dock shelters are most suitable where walls are not designed to handle the high compression forces of traditional seals.

**1-800-236-7325**

[www.novalocks.com](http://www.novalocks.com)

# NOVA SEALING SYSTEMS

## SELECTION CRITERIA

Proper selection is the most important aspect of sealing system installation. Improper selection can result in not only a poor installation, but also product damage and decreased productivity. When selecting a sealing system, choose a system that is the most effective at sealing the majority of vehicles being serviced.

### Grade of Approach

The grade of approach might be level, declined or inclined.

If necessary, seals can be tapered to ensure parallel compression along the entire face of the side pads, which creates an effective seal.

### Overhead Door Dimensions

The size of the door opening determines the most suitable sealing systems.

### Dock Bumper Projection

The dock bumper projection is the distance between the wall and the front face of the bumper. On declined driveways, the bumper must project far enough to prevent trucks from impacting the upper wall.

### Dock Height

The dock height is the distance between the grade and the top of the dock floor.

### Mounting Surface

The wall construction may determine the most suitable type of sealing system. Dock shelters are most suitable where walls are not designed to handle the high compression forces of traditional seals.

## COMPRESSION FOAM DOCK SEALS

Compression foam dock seals are more effective for sealing than using a shelter system.

- Can be used on doors up to 9 ft wide
- To optimize contact with the truck, seals can be tapered to match the drive approach
- Do not work well with trucks with rear loading platforms (Figure 3)
- Must be sized appropriately for the best access to the interior of the truck
- Seals the building to conserve energy
- Economical—provides payback in energy savings
- Some states offer energy rebates

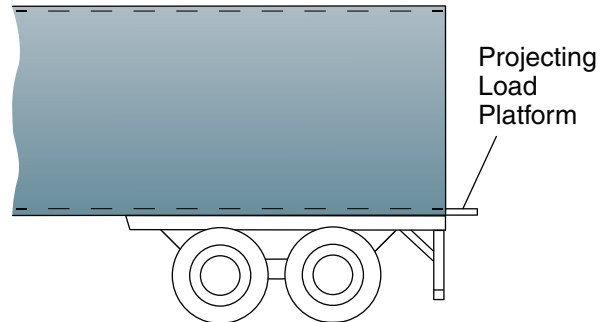


Figure 3

Install the seals with an opening between 7'4" and 7'8" (Figure 4). Use bevel seals for a loading door wider than 7'8" (Figure 5).

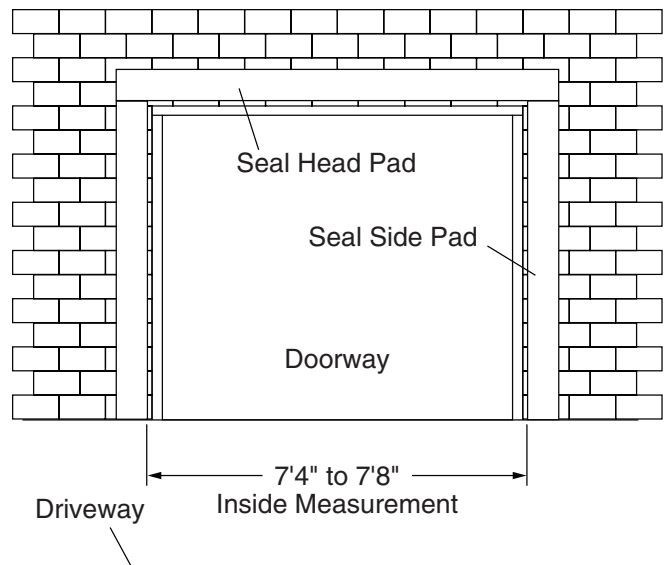


Figure 4

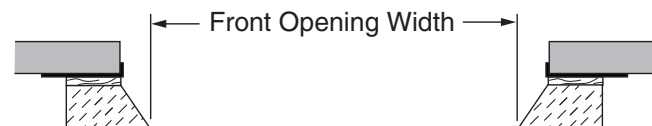


Figure 5

Maintain a minimum of 3 in. between the bottom edge of the head pad and the top of the truck (Figure 6). Various head pad heights are available. Use a fixed head curtain instead of head pads for tall doorways and a wider range of trailer heights (Figure 7).



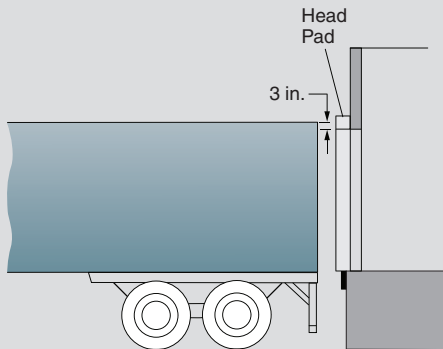


Figure 6

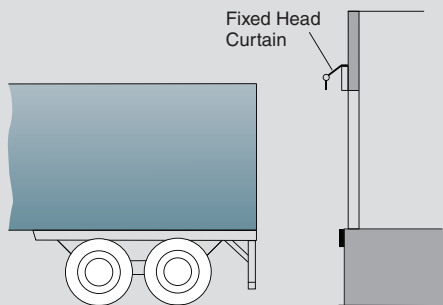


Figure 7

Guidelines for compression foam dock seals installation:

- Per square foot of pad length—approximately 80 lb of compression force on building
- Distance from wall to the face of the dock bumper—minimum of 4 in.
- Pad projection beyond the bumper—minimum of 4 in., maximum of 8 in.; 6 in. is nominal
- For recessed driveways with a slope of more than 2%—specify a taper seal; for every 1% of driveway grade, taper the seal 1 in. for overall length (Figure 8)

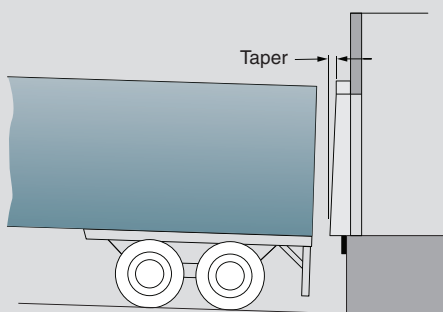


Figure 8

## TRUCK SHELTERS:

A truck shelter allows for full access to the interior of the truck. An air gap may still be present around the hinge area of the truck's door.

Dock shelters can be installed on nearly any door, but are usually installed on doors between 9 ft wide x 9 ft high and 12 ft wide x 12 ft high.

Use truck shelters for:

- Loading doors wider than 9 ft or higher than 10 ft
- Trucks with extended tailgates
- Trucks with rear platforms (Figure 3)
- Full access of truck's interior

Guidelines for truck shelter installation:

- Minimum shelter width – 11'0" wide (O.D.) measured across the side frames
- Standard opening width – 7' measured between the insides of the side curtains

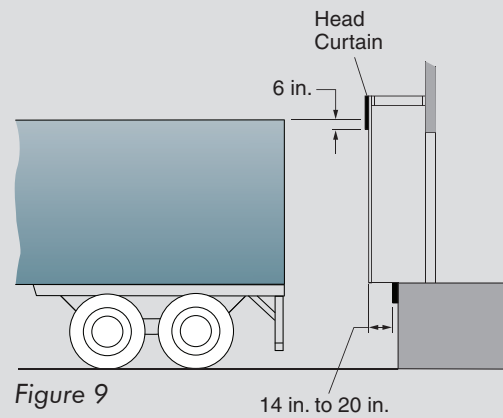
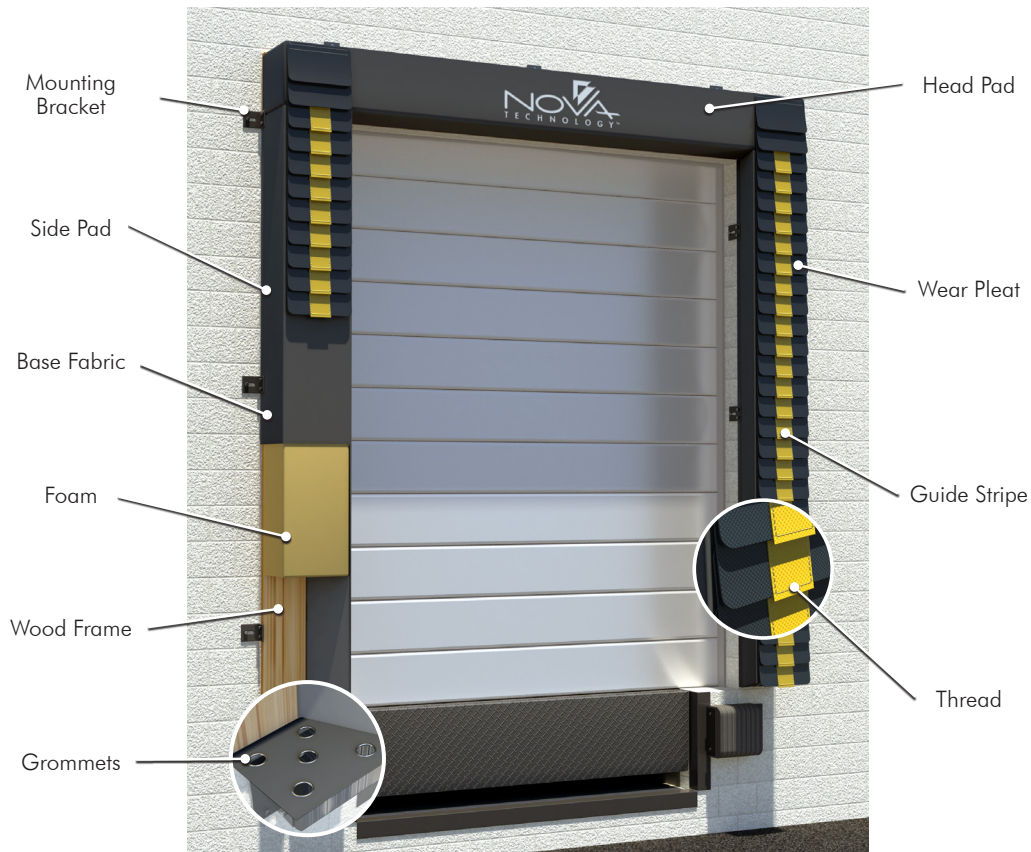


Figure 9

- Position of bottom edge of head curtain – 6 in. below height of the lowest expected truck (Figure 9)
- Top of shelter—minimum of 18 in. above top of highest expected truck. Commonly 15 ft off top of grade
- Shelter projection in front of dock bumpers – 14 to 20 in. Increase the extension to 20 in. minimum for shelters wider than 12'0"
- Install the support brackets for a rigid shelter on the building foundation, flush with the dock floor; the support brackets should project past the shelter frame by 3 to 6 in.

# NOVA FP SERIES



## DESIGNED FOR DOOR OPENINGS UP TO 9 FT WIDE X 9 FT HIGH

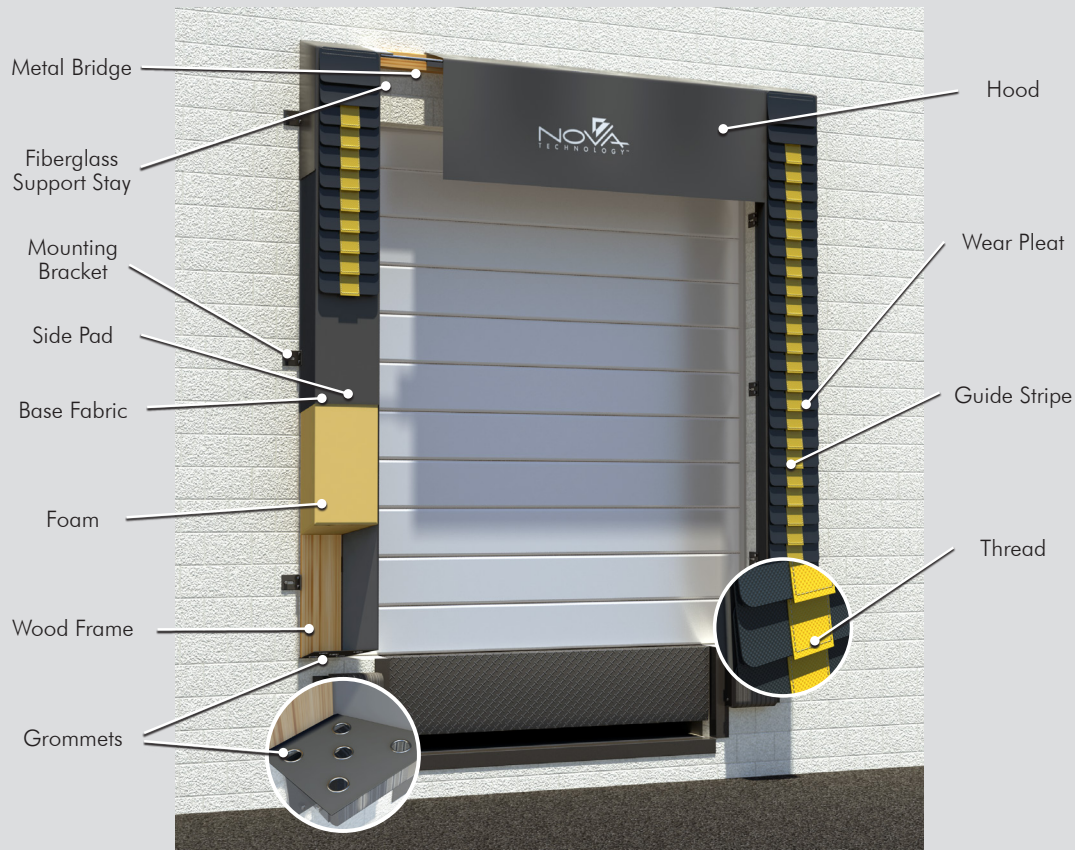
FP Series Dock Seal—the foam-filled head pad and side pads provide a tight, energy-efficient seal between the trailer and dock wall providing protection from inclement weather, dirt and insect infiltration.

- Cover material and wear pleats are top-grade fabrics providing superior performance and maximum durability
- High-density polyurethane foam provides long life and excellent resiliency characteristics
- Foam is bonded with high strength adhesive to select grade pressure-treated, kiln-dried wood framing for long-lasting installation
- Heavy-duty galvanized mounting hardware
- Brass grommets with spur washers for venting
- Velcro® brand attachments
- All sew lines are locked stitched utilizing heavy bonded polyester multifilament thread with UV protectant for extended life
- Full-height yellow guide stripe standard

## OPTIONS:

- Wear pleats
- Wear face
- Scuff guards
- Bottom door flaps (1 to 3 sides)
- Drop curtains
- Pull rope system for drop curtains
- 2" foam-filled drop curtains
- Flame retardant foam & fabric
- Top corner pleats only
- 24" high yellow guide stripe
- Blockouts
- Galvanized metal backs
- Chain weighted drop curtain
- Beveled head pads

# NOVA FPH SERIES



## DESIGNED FOR DOOR OPENINGS UP TO 9 FT WIDE X 12 FT HIGH

FPH Series Dock Seal—features a hood-style head curtain in place of a head pad with fiberglass stays and metal pipe in the fabric hood to maintain support and serviceability.

- Cover material and wear pleats are top-grade fabrics providing superior performance and maximum durability
- High-density polyurethane foam provides long life and excellent resiliency characteristics
- Foam is bonded with high strength adhesive to select grade pressure-treated, kiln-dried wood framing for long-lasting installation
- Heavy-duty galvanized mounting hardware
- Brass grommets with spur washers for venting
- Velcro® brand attachments
- Full-height yellow guide stripe standard
- Hood drop can be customized to accommodate the truck heights at your dock
- All sew lines are locked stitched utilizing heavy bonded polyester multifilament thread with UV protectant for extended life
- Fiberglass support stays

## OPTIONS:

- Wear pleats
- Wear face
- Scuff guards
- Bottom door flaps
- Pull rope system
- Flame retardant foam & fabric
- Top corner pleats only
- 24" high yellow guide stripe
- Blockouts
- Galvanized metal backs
- 2" foam-filled front on hoods
- Chain weighted drop curtain

# NOVA FPU SERIES



## DESIGNED FOR DOOR OPENINGS UP TO 10 FT WIDE X 9 FT HIGH

FPU Series Dock Seal—accommodates larger doors and provides a positive foam seal and wiping action against truck sides. Provides full access side-to-side with this model.

- Cover material and wear pleats are top-grade fabrics providing superior performance and maximum durability
- High-density polyurethane foam provides long life and excellent resiliency characteristics
- Foam is bonded with high strength adhesive to select grade pressure-treated, kiln-dried wood framing for long-lasting installation
- Standard side pad projection is 16", maximum is 24"
- Standard head pad projection is 10"
- Standard side pad penetration is 12"
- Heavy-duty galvanized mounting hardware
- Full-height yellow guide stripe standard
- Brass grommets with spur washers for venting
- All sew lines are locked stitched utilizing heavy bonded polyester multifilament thread with UV protectant for extended life

## OPTIONS:

- Wear pleats
- Wear face
- Scuff guards
- Bottom door flaps (1 to 3 sides)
- Drop curtains, with or without Velcro® brand attachments
- Pull rope system for drop curtains
- Chain weighted drop curtain
- 2" foam-filled drop curtain
- Flame retardant foam & fabric
- Top corner pleats only
- 24" high yellow guide stripe
- Blockouts
- Galvanized metal backs



# NOVA FPHU SERIES



## DESIGNED FOR DOOR OPENINGS UP TO 10 FT WIDE X 12 FT HIGH AND HIGHER DOORS

FPHU Series Dock Seal— features a fabric hood-style head curtain to accommodate larger doors and provide a positive foam seal and wiping action against truck sides. Provides full access side-to-side with this model.

- Cover material and wear pleats are top-grade fabrics providing superior performance and maximum durability
- High-density polyurethane foam provides long life and excellent resiliency characteristics
- Foam is bonded with high strength adhesive to select grade pressure-treated, kiln-dried wood framing for long-lasting installation
- Standard side pad projection is 16", maximum is 24"
- Standard hood drop is 24"
- Standard side pad penetration is 12"
- Heavy-duty galvanized mounting hardware
- Full-height yellow guide stripe standard
- Hood drop can be customized to accommodate the truck heights at your dock
- Brass grommets with spur washers for venting
- All sew lines are locked stitched utilizing heavy bonded polyester multifilament thread with UV protectant for extended life

## OPTIONS:

- Wear pleats
- Wear face
- Scuff guards
- Bottom door flaps
- Pull rope system
- Chain weighted drop curtain
- Flame retardant foam & fabric
- Top corner pleats only
- 24" high yellow guide stripe
- Blockouts
- Galvanized metal backs
- 2" foam-filled front on hoods

# NOVA RF SERIES



## DESIGNED FOR DOOR OPENINGS UP TO 12 FT WIDE X 12 FT HIGH AND HIGHER DOORS

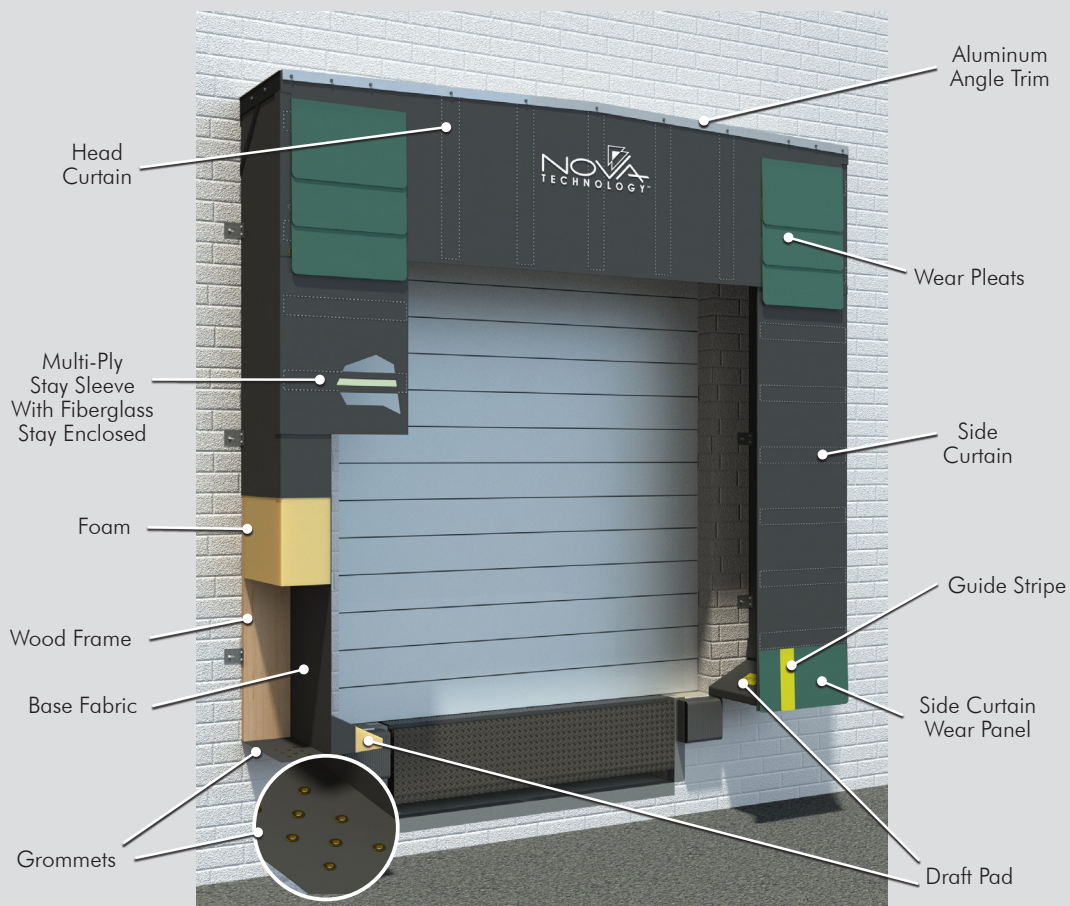
RF Series Dock Shelter—provides maximum dock protection and full access to trailers while minimizing pressure on the building wall. The RF Series features high wear-resistant fabric with double lock-stitched seams, bottom corner draft pads and standard 36 inch drop head curtain with fiberglass stays, protective corner reinforcement pleats and wind retention straps. The raked header with translucent fiberglass top provides natural light, permits water drainage, and provides snow load support.

- Select grade pressure-treated, kiln-dried wood side and head frame
- Frames covered with translucent fiberglass
- Aluminum angle face edging
- Cover material and wear pleats are top-grade fabrics providing superior performance and maximum durability
- Vinyl covered foam “drop in” style draft pads
- Steel support bumpers (black)
- Heavy-duty galvanized mounting hardware
- 15-inch yellow guide stripe standard
- All sew lines are locked stitched utilizing heavy bonded polyester multifilament thread with UV protectant for extended life

## OPTIONS:

- Full-height yellow guide stripes
- Shelter projection—24” standard, customizable to any projection
- 2” foam front head curtain
- Pull rope system
- Hook and loop splits on head curtain
- Head curtain drop over 54”
- Frame cut-outs for obstructions
- Non projecting frame
- Common member units
- Ground level units
- 18 oz. white vinyl on frames
- Galvanized steel frame
- Clear roof panels for extra lighting
- Chain weighted drop curtain
- Spring steel stays

# NOVA SS SERIES



## DESIGNED FOR DOOR OPENINGS UP TO 12 FT WIDE X 12 FT HIGH

SS Series Soft Sided Dock Shelter—provides maximum dock protection and full access to trailers while minimizing pressure on the building wall. The SS Dock Shelter has a much greater tolerance to off-center impacts from trucks. Utilizing foam side pads in its construction, it is capable of compressing and bending out of the way of a truck which fails to properly align with the doorway, preventing costly repairs.

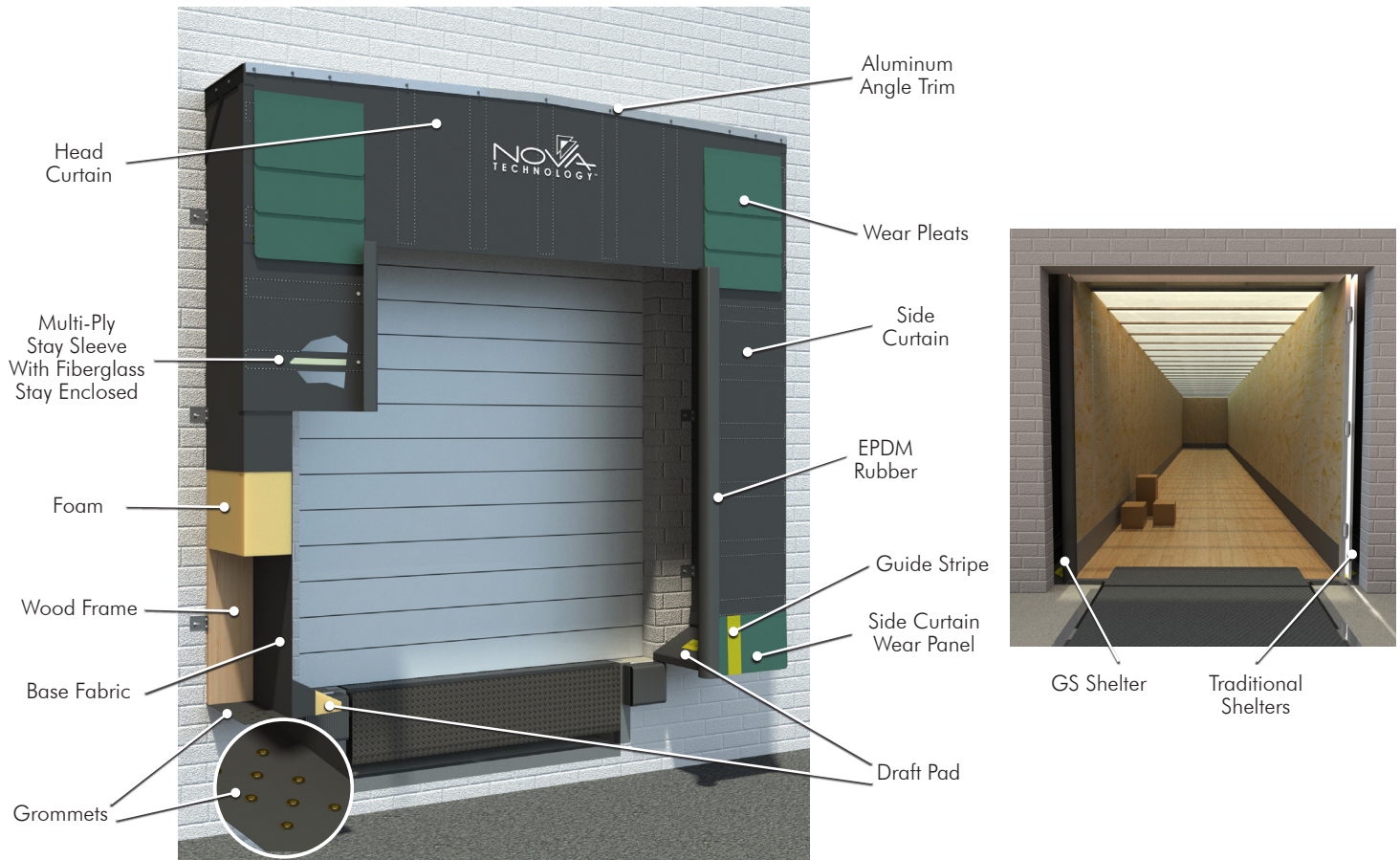
- Cover material and wear pleats are top-grade fabrics
- Impactable side pad structure protects unit from damage against off-center trailers
- High-density polyurethane foam provides long life and excellent resiliency
- Select grade pressure-treated, kiln-dried wood framing
- Raked header with translucent fiberglass top
- Flexible fiberglass stays add stiffness to shelter face curtains
- Aluminum angle face edging on head frame
- Detachable side curtains and draft pads use Velcro® for easy removal
- Heavy-duty galvanized mounting hardware
- 15-inch yellow guide stripe standard
- Wind straps on head curtain keep the curtain from being blown out of position
- All sew lines are locked stitched

## OPTIONS:

- Full-height yellow guide stripes
- Shelter projection—24" standard, customizable to any projection
- 2" foam front head curtain
- Pull rope system
- Hook and loop splits on head curtain
- Head curtain drop over 54"
- Frame cut-outs for obstructions
- Common member units
- Ground level units
- Clear roof panels for extra lighting
- Chain weighted head curtain
- Spring steel stays
- Tapered units for inclined/declined approaches



# NOVA GS SERIES



## DESIGNED FOR DOOR OPENINGS UP TO 12 FT WIDE X 12 FT HIGH

GS Series Dock Shelter—engineered for use with swing-door trailers, the GS Dock Shelter seals the air and light gaps through door hinges while still allowing full access into the trailer. Provides maximum dock protection while minimizing pressure on the building wall. Utilizing foam side pads in its construction, it is capable of compressing and bending out of the way of a truck which fails to properly align with the doorway, preventing costly repairs.

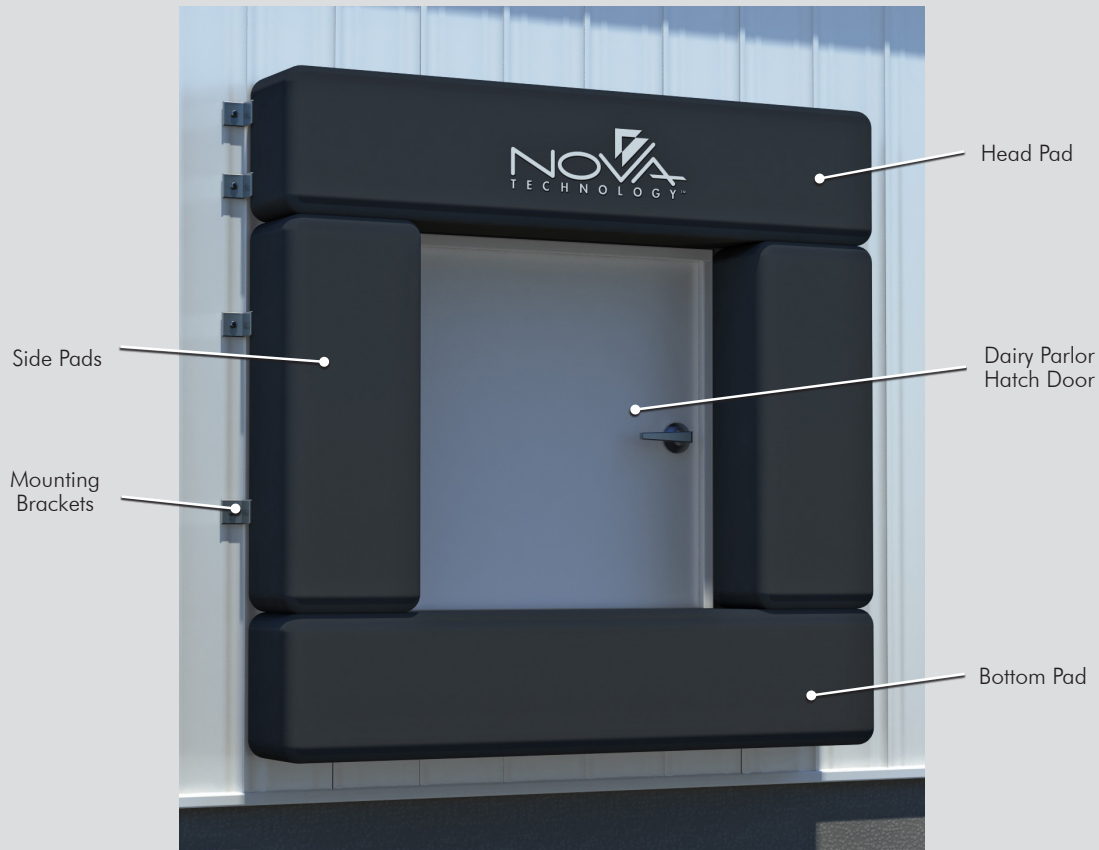
- Rugged EPDM rubber components effectively block air and light gaps around trailer door hinges while having incredible wear and weather resistance
- Cover material and wear pleats are top-grade fabrics
- Impactable side pad structure protects unit from damage against off-center trailers
- High-density polyurethane foam provides long life and excellent resiliency
- Select grade pressure-treated, kiln-dried wood framing
- Raked header with translucent fiberglass top
- Flexible fiberglass stays add stiffness to shelter face curtains
- Aluminum angle face edging on head frame
- Detachable side curtains and draft pads use Velcro® for easy removal
- Heavy-duty galvanized mounting hardware
- 15-inch yellow guide stripe standard
- Wind straps on head curtain keep the curtain from being blown out of position

## OPTIONS:

- Full-height yellow guide stripes
- Shelter projection—20" standard, customizable to any projection
- 2" foam front head curtain
- Pull rope system
- Hook and loop splits on head curtain
- Head curtain drop over 54"
- Frame cut-outs for obstructions
- Common member units
- Ground level units
- Clear roof panels for extra lighting
- Chain weighted head curtain
- Spring steel stays
- Tapered units for inclined/declined approaches



# NOVA DAIRY SEAL



## DESIGNED TO FIT ANY SIZE HATCH DOOR

Dairy Seal—These four-sided seals are used to enclose the hatch door for a milk tanker truck to back up against. Milk from dairy cows that has been instantly cooled in holding tanks inside the facility is transferred directly to the tanker. A good seal is necessary to prevent insects, pests and debris from contaminating the transfer process and to meet FDA inspections.

- Typical hatch opening measures 34" x 34"
- Standard pads have a 12" face and back with choice of 10" or 12" projection
- Single layer 22 oz. Vinyl or 40 oz. Vinyl
- Top-grade fabrics provide superior performance and maximum durability
- High-density polyurethane foam provides long life and excellent resiliency characteristics
- Foam is bonded with high strength adhesive to select grade pressure treated, kiln-dried wood framing for long-lasting installation
- Heavy-duty galvanized mounting hardware
- All sew lines are locked stitched utilizing heavy bonded polyester multifilament thread with UV protectant for extended life

## OPTIONS:

- Custom sizes available
- Stainless steel brackets and hardware

# NOVA

## OPTIONS AND ACCESSORIES

### RAIN DEFLECTOR

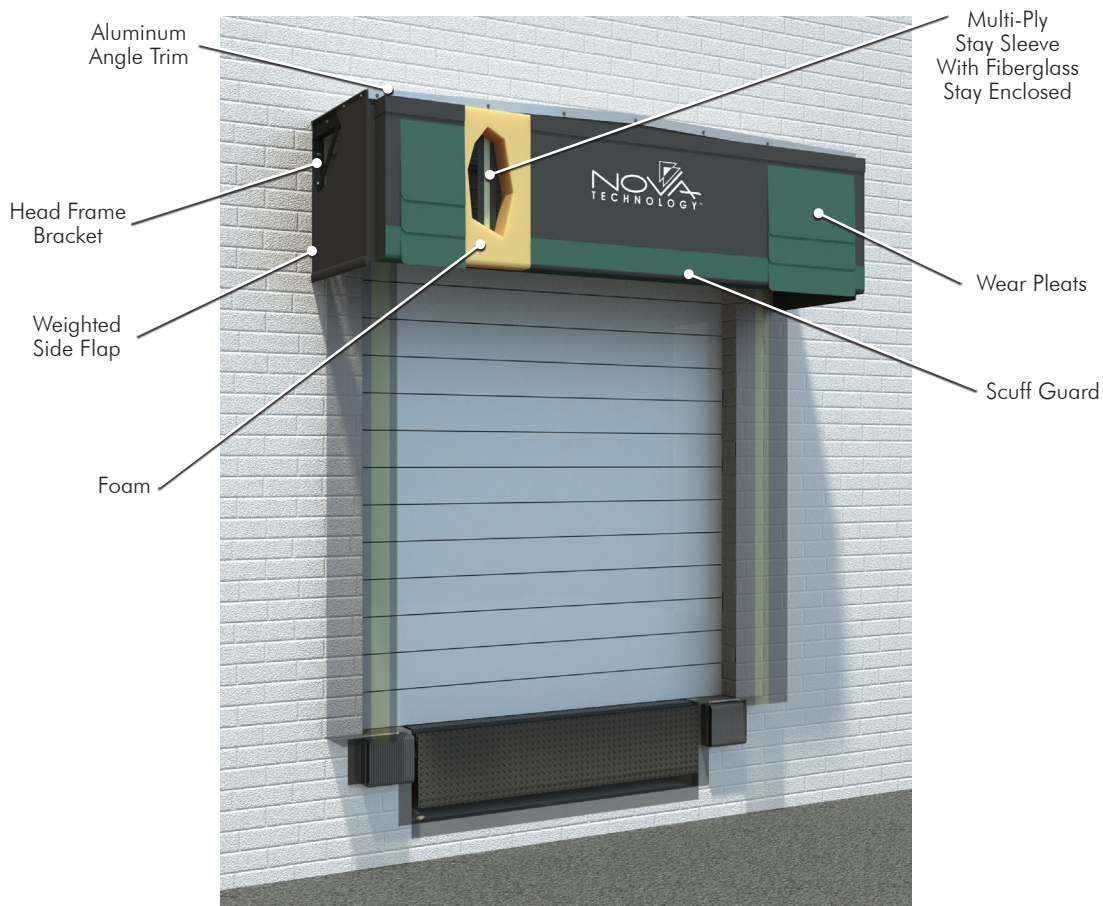
RD Series Rain Deflector—provides an excellent barrier to water runoff from the top of trailers from entering the building, especially in declined docks. They are additionally useful for automatically sealing a wide range of trailer sizes that back into the same loading dock. Designed to fit over all seals and almost any type of shelter.

- Mounts onto pre-installed seals and shelters, or combine with a new seal/shelter for a seamless product
- 5" foam-filled pad acts as a deterrent to water runoff from trailer tops
- Fiberglass stay reinforcements add extra pressure to block water infiltration
- High-density polyurethane foam provides long life and excellent resiliency characteristics
- Covers truck heights ranging from 11'6" to 13'6" even on the same dock
- Chain-weighted side flaps
- Select grade pressure-treated, kiln-dried wood head frame
- Heavy-duty steel brackets support head frame\*
- All sew lines are locked stitched utilizing heavy bonded polyester multifilament thread with UV protectant for extended life

### OPTIONS:

- Standard projection is 20" beyond seal/shelter—Up to 48" total projection from wall
- 5" foam pad standard
- Traditional head curtain
- Pad drop over 44"
- Frame cut-outs for obstructions
- Galvanized steel head frame
- Clear roof panels for extra lighting
- Spring steel stays
- Overhead cable supports\*

\* Cables required for certain applications



# NOVA OPTIONS AND ACCESSORIES

## DOCK SEAL RECOVERS

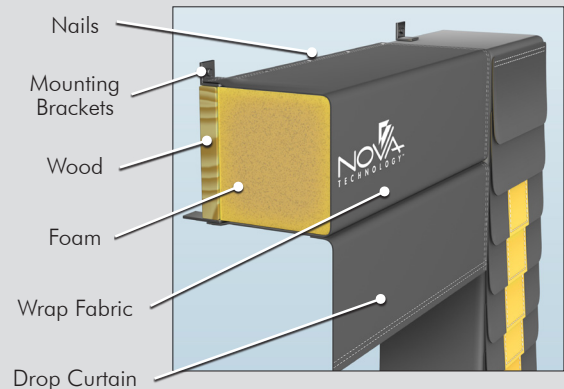
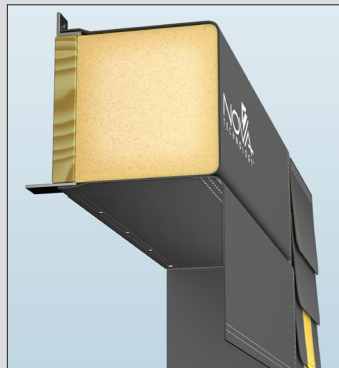
- NOVA manufactures dock seal recoveries made to your specification

**FIELD INSTALLED FRAME**—designed to seal any gap between trailer and head pad. The drop curtain wraps around head pad starting at the wood frame on the top, coming around the face and back to the wood frame on the underside of head pad. They are simply nailed into the wood backer of the head pad. The drop curtain is pre-sewn onto the base and hangs independently. Drop curtains are an excellent way to create a better seal for installation below the head pad to cover lower trucks.

- Top-grade fabrics provide superior performance and maximum durability
- Compatible with NOVA FP and FPU models and can be retrofitted into existing competitor units
- Standard drop curtain from bottom of head pad—12", 18", and 24"
- All sew lines are locked stitched utilizing heavy bonded polyester multifilament thread with UV protectant for extended life

## OPTIONS:

- Pull rope system for drop curtains
- 2" foam-filled drop curtains
- Velcro® brand attachments
- Chain weighted drop curtain
- Wide selection of fabric types, weights and colors
- Custom sizes or retrofits available

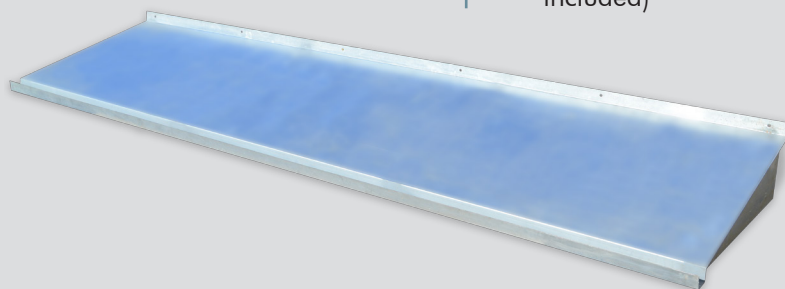


**METAL HOOD CANOPIES**—designed to protect your loading dock area from snow, ice and rain. Metal hood canopies at the loading dock make the process of loading and unloading dry and efficient. Metal man door canopies protect employees and visitors by keeping building entrances safe and dry.

- Standard widths 10'-0" to 12'-0" for loading docks
- Standard widths 4'-0" to 6'-0" for man doors
- 16-gauge galvanized steel
- Three support gussets
- 2" x 2" full width rain gutter
- Standard projections are 12", 18", 24", and 30"
- Larger projections are also available
- Predrilled hole alignment for mounting
- High load capacity
- Easy installation

## OPTIONS:

- Custom lengths and sizes available
- Installation of a metal hood over 30" projection requires using cable stringers to attach to the wall for added support (not included)

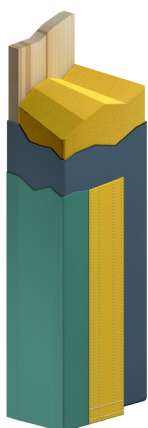


# NOVA OPTIONS AND ACCESSORIES



## WEAR PLEAT

Multi-layer, reinforced wear pleats on the full height of side pads and corners of head pad provides maximum protection to extend life of the seal. Available in 4", 8" or 16" exposure.

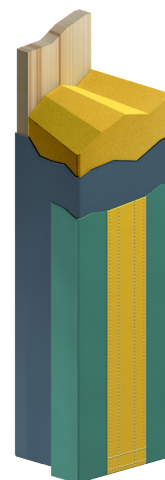


## SCUFF GUARD

Scuff guards protect the inside of side pads from freight and can be full height or 48" high.

## WEAR FACE

Wear face reinforces the entire contact surface of the side pad or head pad for greater durability.



## Available Fabrics

### NOVA MAX-1000™

Heavy-duty polyester-based fabric with a polymer blend coating features ultra-high abrasion resistance for the toughest environments; resulting in the highest puncture and tear resistance and abrasion resistance of any fabric in the industry.

### NOVA MAX-60™

Heavy-duty polyester-based fabric

with a polymer blend coating on both sides, with 60% of the coating on the outside surface for greater wear resistance.

### 40 Oz. NOVALON™\*

Nylon woven base with a synthetic elastomer coating on both sides.

### 40 Oz. Vinyl

Woven polyester base fabric with a vinyl coating on both sides.

### 22 Oz. Vinyl

Woven polyester-based fabric with a vinyl coating on both sides.

### 16 Oz. NOVALON™\*

Nylon woven base with a synthetic elastomer coating on both sides.

\*NOVALON™ is the equivalent replacement for Hypalon®. Hypalon® is a trade name used by DuPont and is no longer available.

FABRIC PROPERTIES & COLORS							
Fabric	Abrasion Resistance (cycles) Fed Std 5306 ASTM D3884	Tensile Strength (lbs./in.) Fed Std 5100 ASTM D751	Tear Strength (lbs., WxL) Fed Std 5134 ASTM D2261	Cold Resistance (at -40°F) Fed Std 5874 ASTM D2136	Colors		
NOVA MAX-1000™	10000	1000 x 1000	200 x 200	Pass	■	■	■
NOVA MAX-60™	3000	950 x 850	160 x 130	Pass	■	■	■
40 oz. NOVALON™	1500	400 x 350	50 x 50	Pass	■	■	■
16 oz. NOVALON™	100	400 x 350	50 x 40	Pass	■	■	■
40 oz. Vinyl	3000	950 x 850	160 x 130	Pass	■	■	■
22 oz. Vinyl	1850	695 x 650	120 x 100	Pass	■	■	■

## FLAME-RETARDANT FABRIC

Many of our fabrics offer optional flame-retardant designs. These fabrics are engineered or tested to the strict standards of the California State Title 19 and NFPA-701.

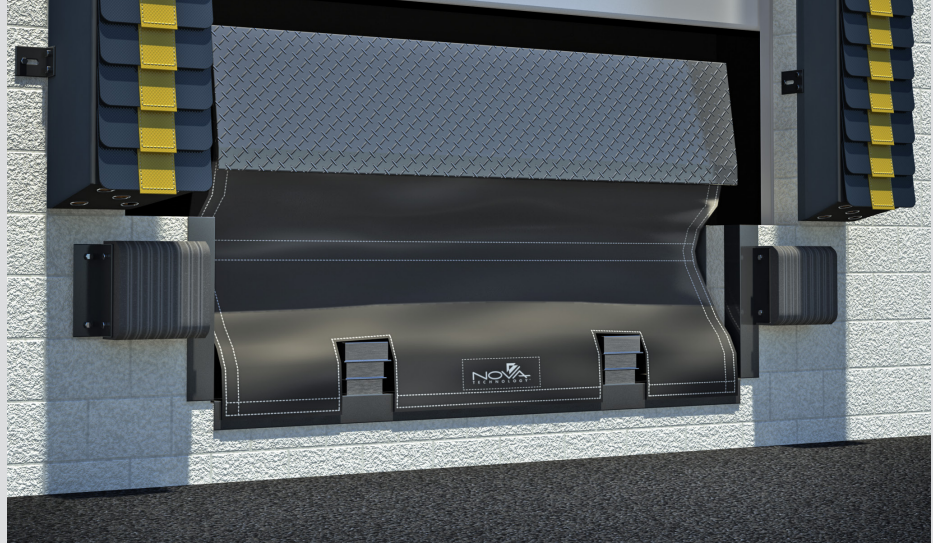
These flame-retardant fabrics are designed to self-extinguish a flame in two seconds or less once the source is removed.



# NOVA ENERGY SAVING PRODUCTS

**DOCK LEVELER CURTAIN**— seals the pit while leveler is operated to help prevent loss of heating and cooling energy from the building. Also helps prevent dust, debris and pests from entering into the building. Velcro® attachments across the top of the leveler header allow easy entry for performing leveler maintenance. Custom fit to any brand of dock leveler.

- Top-grade fabrics provide superior performance and maximum durability
- Standard 22 oz. Vinyl
- Durable, high chemical resistance
- Combination of retractor straps and ScotchPly® stays enable curtain to retract and neatly store beneath leveler
- Velcro® brand attachments
- Easy installation—requires no maintenance
- Customized to fit your dock leveler\*



\* Custom drawing is required for any "Cut-Out" needed

**DOCK STUFFERS**—blocks the gap between bumper and dock seal. An economical way to eliminate the gap created during the loading and unloading process. The dock stuffer is simply placed over the gap.

- Top carrying handle for easy placement and removal
- Weighted base provides sealing action
- Filled with high-density polyurethane foam for compressibility
- Will not interfere with loading and unloading process
- Constructed from heavy-duty vinyl fabric for durability and long life
- Yellow vinyl offers high visibility
- Caution "NO STEP" safety labels provide clear warning to dock workers
- Reduces rodent and air infiltration
- Includes 36" Neoline rope retention system mounted to inside of building
- 15" x 15" x 15" triangular shaped wedge
- Lengths available in 12", 18", 24", and 30"



## OPTIONS:

- Wide selection of fabric types, weights and colors

## OPTIONS:

- Custom lengths available

# NOVA

## ENERGY SAVING PRODUCTS

**BOTTOM SEALS**—fills the gap between the overhead dock door and dock leveler or floor. Improves safety and productivity while reducing costs by providing protection from inclement weather, dirt, and pests while saving energy.

- Top-grade fabrics provide superior performance and maximum durability
- Standard 22 oz. Vinyl or 16 oz. NOVALON™
- Length is custom fit to your order
- 2" x 2" high-density foam construction
- Double flap construction for overhead dock doors
- Single flap construction for freezer doors
- Unique folded ends (no stitched seams) to keep moisture out when compressed

### OPTIONS:

- Available 3" x 3" for rail car doors
- Heavier fabrics are available upon request



Single



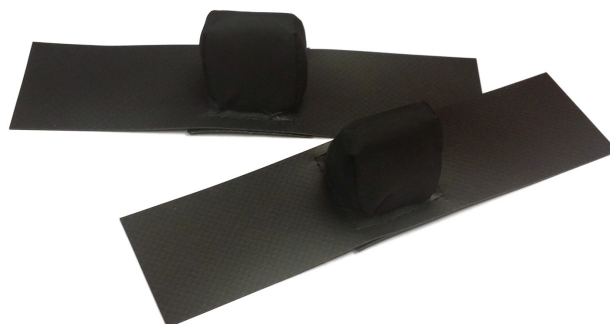
Double

**DOOR FANGS**—fills the gap between the dock leveler deck and the curb angles. Door fangs are attached to the overhead door. When the door is closed they are simply wedged into the gaps to save on heating and cooling costs.

- Wedge measures 2" wide x 2" high x 1.5" deep
- 9.5" long strap to wrap around a standard 2" thick overhead door
- NOVA MAX-60™ Vinyl strap standard
- High-density foam construction
- Rip Stop Nylon fabric encases the foam wedge
- Installation is quick and simple

### OPTIONS:

- Custom sizes available upon request





# LOADING DOCK EQUIPMENT PRODUCTS BUILT FOR SAFETY, RELIABILITY AND STRENGTH



## VEHICLE RESTRAINTS

The most effective way to prevent accidents caused by trucks and trailers from prematurely pulling away from docks during loading and unloading.



## DOCK LEVELERS

Allow forklifts to make a smooth, safe transition between loading dock and trailer, reducing the effects of dock shock, and the jarring that occurs when a lift truck crosses between the warehouse floor and trailer bed.



## SEALS AND SHELTERS

A wide variety of designs to fit your facility's needs for vehicle type, door size, dock height, driveway grade, dock traffic and weather conditions.



## SAFETY BARRIER PRODUCTS

Reduce your risk of injury as well as damage to your building, equipment and products.



## LOADING DOCK ACCESSORIES

Comprehensive line of loading dock accessories and loading dock aftermarket products to improve safety, productivity, security and environmental control.

Since 1986, NOVA has been providing innovation and reliability to the loading dock industry. We manufacture and distribute a comprehensive line of vehicle restraints, mechanical, air powered and hydraulic dock levelers, edge-of-dock levelers, dock seals and shelters, safety barrier products, and other loading dock accessories to improve safety, productivity, security and environmental control.

For a dealer in your area or for additional information on routine service, preventative maintenance, product questions, or to request a quote, contact NOVA Technology.



**1-800-236-7325**  
[www.novalocks.com](http://www.novalocks.com)