



EFFICIENCY AND POWER

**3,000 – 4,000 LB. CAPACITY
ELECTRIC PNEUMATIC TIRE LIFT TRUCKS**



A POWERFUL SOLUTION



Maximum Performance: Shift After Shift

The Cat® EPC3000 – EP4000 series is designed for efficiency and performance. Featuring advanced AC technology, this series offers longer run times - up to two shifts on one battery charge - for greater operator productivity.

ADVANTAGES TO YOU:

- Flexible use, indoors and out – with the ability to lift up to 4,000 lbs.
- Low maintenance – sealed components provide added protection from dust, debris and moisture.
- Zero harmful emissions – electric lift trucks offer a cleaner working environment and eliminate fuel costs.

KEY APPLICATIONS:

- Food and beverage
- Retail Stores
- Freight and logistics
- Building materials and garden supplies
- Fabricated metal products



EFFICIENCY AND RELIABILITY

The Cat EPC3000 – EP4000 series features a durable design, allowing it to operate efficiently – even in demanding applications.

- Sealed components help protect the forklift from dust and moisture.
- Extended service intervals reduce downtime.



FOCUSED ON PRODUCTIVITY



Move More – Every Shift

From low-maintenance components to high-efficiency systems, the Cat EPC3000-EP4000 series is designed to help you achieve more in a given shift for greater overall productivity.



LONGER RUN TIMES: 2 SHIFTS ON 1 BATTERY CHARGE*

Equipped with advanced 3-phase AC electric motors and regenerative braking, these lift trucks are built to run longer for greater efficiency.

KEY FEATURES:

- **Powerful 3-phase AC technology** – Our AC technology offers a competitive advantage due to its energy efficient conversion of battery power to AC current, strategic component placement to reduce lost energy and AC electric power steering.
- **Advanced regenerative braking** – AC motors act as a generator during braking, effectively turning the lift truck's momentum into energy and feeding it back into the battery for improved performance and longer run times – up to two shifts.
- **Intelligent design** – The lift truck's electric and hydraulic components were placed closely together to reduce lost energy for an even greater boost in efficiency. The benefit: longer run times and greater performance.

SUPERIOR PERFORMANCE

- **Increased productivity** – High torque at all speed levels ensures a productive operation. The result: faster throughput and an option to reduce your fleet size.
- **Versatile and reliable** – Specially-designed options such as enclosed operator cabins allow these trucks to operate in areas previously only managed by IC lift trucks for improved flexibility.
- **Less maintenance** – Sealed components provide added protection from dust, debris and moisture, resulting in a durable lift truck. Extended service intervals, display-based indicators and easy-to-access components simplify routine maintenance.
- **Uncompromising performance** – When it comes to energy efficiency, tests have proven that the Cat 2EPC3000 – 2EP4000 series is 17% more efficient than its closest competitor.

*in most applications.



INCREASE YOUR POTENTIAL WITH LITHIUM-ION

The lithium-ion battery package provides the highest performing battery solution –

- High performance batteries that are synchronized with the lift truck and charger for optimal energy efficiency
- No maintenance requirements and a longer service life mean each truck offers more daily use, increased throughput and reliable 24/7 performance.
- No more battery change-outs, watering, and degassing areas
- Maximize truck productivity through opportunity charging that can be interrupted anytime
- 5-year battery warranty included.

EXCEPTIONAL COMFORT AND CONTROL

To Get The Job Done

The EPC3000 series keeps your operators comfortable while working tough jobs, with premium ergonomic features and smart technology:

- Curve Control
- Electric-Power Steering
- Selective Performance Modes

Easy-To-Read Display



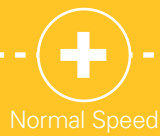
Standard Fingertip Controls



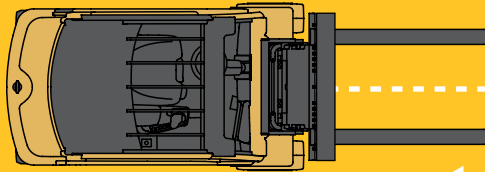
Fully-Adjustable Steering Column
For ample leg room

Full-Suspension Seat, Orange Anti-Cinch Seat Belt
Adjustable suspension, lumbar support and seat angle





Normal Speed



Reduced Speed

BENEFITS FOR THE OPERATOR

Designed for comfort, and outfitted with the latest in ergonomics and control features, the Cat EPC3000 – EP4000 series is designed to help operators get the job done in various environments, such as food and beverage, freight and logistics and fabricated metal products. These Cat lift trucks feature a floating cab that rests on cushioning bushings, working with the full-suspension seat to absorb floor shocks and overall vibration.

Your operators will also benefit from:

- Quiet, protected motors
- Solid pneumatic tires for a smooth ride
- A narrow, adjustable steer column with greater leg room
- AC steer system for low-effort, responsive steer control
- Standard fingertip hydraulic controls for quick, precise handling
- A dash-mounted display with easy-to-read, informative service icons, directional indicators and performance modes
- An advanced Operator Presence Detection System, which disengages the hydraulic controls and applies the parking brake when the operator is not properly seated. Contact your local dealer to learn more about the complete list of features this system provides.

OPTION PACKAGES FOR ANY APPLICATION



Hang-on or integral side shifter



Wide range of enclosed cabin options



Operator control options



Light packages



Local service and support



Genuine OEM parts



Custom financing packages

MORE CONFIDENCE





Factory warranty for added protection



Local Support You Can Count On

A Cat lift truck purchase connects you to a variety of material handling solutions, including world-class service and support from your local, trusted dealer. With trained service technicians, a diverse parts inventory and a broad selection of service options, your local dealer can help you lower costs, enhance productivity and more efficiently manage your business.

FINANCING MADE SIMPLE

Financing your next Cat lift truck is easy with our wide range of flexible leasing and purchasing options. Whether you want to finance or lease, your local Cat lift truck dealer can help customize a package for your business.

WHEN EVERY PART COUNTS

When buying from your local Cat lift truck dealer, you can rest assured that your genuine OEM parts are manufactured to meet original equipment criteria. Additionally, all Cat lift trucks OEM parts come with a six-month, unlimited-hours warranty.

When speed is critical, our Parts Fast Or Parts Free Guarantee* ensures next-business-day delivery of all Cat lift trucks parts, or they're free, including freight. If your part doesn't come in by the next business day, we pay for it.

STANDING BEHIND OUR PRODUCTS

We deliver peace of mind by helping your lift trucks stay on the job. Every new Cat lift truck is covered by a 1-year / 2,000-hours warranty that includes parts and labor, as well as components and systems. With our standard 2-year / 4,000-hours extended powertrain warranty, you'll have the confidence that only comes from owning a Cat lift truck.

* At dealer's location.

† Programs may be subject to change without notice and may vary by region. Please ask your local Cat lift truck dealer for complete terms and conditions.

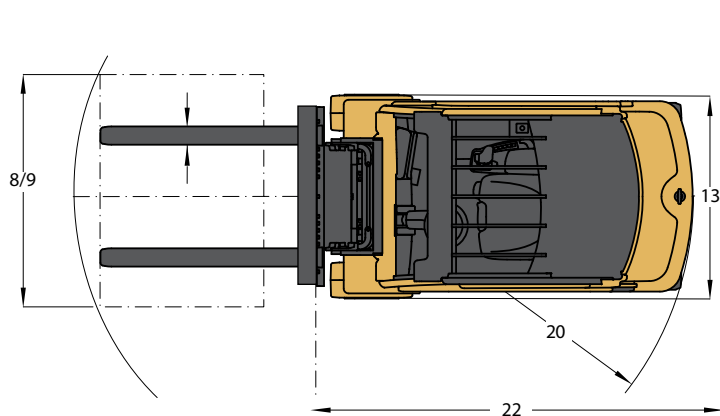
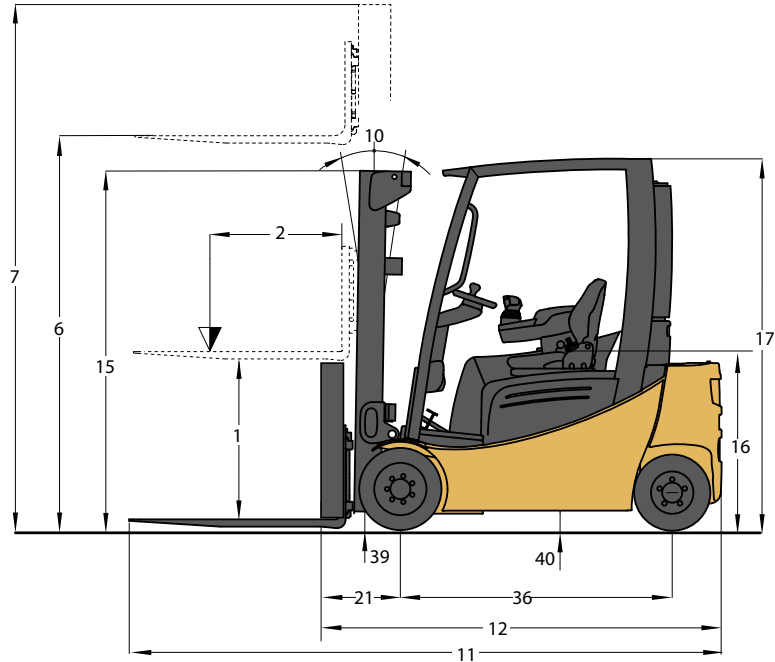
Specifications

Characteristics				EPC3000		EP3000		EPC3500	
1	Capacity at rated load center	lb	kg	3,100	1,600	3,125	1,600	3,516	1,800
2	Load center – distance	in	mm	24	500	24	500	24	500
3	Power – diesel, gasoline, LP gas, electric			electric		electric		electric	
4	Tire type – cushion, solid pneumatic			solid pneumatic		solid pneumatic		solid pneumatic	
5	Wheels (x = driven) – number front / rear			2x/2		2x/2		2x/2	
Dimensions				EPC3000		EP3000		EPC3500	
11	Lift with standard two-stage mast – maximum fork height	in	mm	118	3,000	118	3,000	118	3,000
12	Lift with standard two-stage mast – free fork height	in	mm	5.9	150	5.9	150	5.9	150
13	Forks – thickness x length x width	in	mm	1.6 x 3.9 x 45.3	40 x 100 x 1,150	1.6 x 3.9 x 45.3	40 x 100 x 1,150	1.6 x 3.9 x 45.3	40 x 100 x 1,150
	Fork spacing – out-to-out minimum / maximum	in	mm	12.3/36	312/914	12.3/36	312/914	12.3/36	312/914
14	Tilt – out-to-out minimum / maximum	deg		7/6		7/6		7/6	
15	Length to fork face	in	mm	78.3	1,990	82.6	2,098	78.3	1,990
16	Overall width – standard	in	mm	41.7	1,060	41.7	1,060	44.1	1,120
	Overall width – with wide stance drive wheels	in	mm	n/a		n/a		n/a	
17	Height with lowered mast	in	mm	79	2,000	79	2,000	79	2,000
18	Seat height to SIP	in	mm	36.2	920	36.2	920	36.2	920
19	Height to top of overhead guard	in	mm	80.4	2,040	80.4	2,040	80.4	2,040
20	Height with extended mast	in	mm	166	4,216	166	4,216	166	4,216
21	Minimum outside turning radius	in	mm	73.2	1,859	78.1	1,985	73.2	1,859
22	Load moment constant (36V)	in	mm	13.5	344	13.5	344	14.3	364
	Load moment constant (48V)	in	mm	13.4 ¹⁾	340	13.4 ¹⁾	340	13.4 ¹⁾	340
23	Minimum aisle 90° stack - must add load length and clearance	in	mm	86.6 ¹⁾	2,200	91.5 ¹⁾	2,325	86.6 ¹⁾	2,200
Performance				EPC3000		EP3000		EPC3500	
24	Travel speed – loaded / empty (36V)	mph	km/h	9.3 / 9.9	15 / 16	9.3 / 9.9	15 / 16	9.3 / 9.9	15 / 16
	Travel speed – loaded / empty (48V)	mph	km/h	10.6 / 10.6	170 / 170	10.6 / 10.6	170 / 170	10.6 / 10.6	170 / 170
25	Lift speed – loaded / empty (36V)	fpm	m/s	76.8 / 112.2	0.39 / 0.57	76.8 / 112.2	0.39 / 0.57	72.8 / 108.3	0.37 / 0.55
	Lift speed – loaded / empty (48V)	fpm	m/s	96.5 / 118.1	0.49 / 0.60	96.5 / 118.1	0.49 / 0.60	86.6 / 108.3	0.44 / 0.55
26	Lowering speed – loaded / empty (36V)	fpm	m/s	108.3 / 108.3	0.55 / 0.55	108.3 / 108.3	0.55 / 0.55	108.3 / 108.3	0.55 / 0.55
	Lowering speed – loaded / empty (48V)	fpm	m/s	108.3 / 108.3	0.55 / 0.55	108.3 / 108.3	0.55 / 0.55	108.3 / 108.3	0.55 / 0.55
28	Maximum gradeability – loaded / empty (36V)	%		21 / 30		21 / 30		18 / 20	
	Maximum gradeability – loaded / empty (48V)	%		27 / 35		27 / 35		26 / 35	
Weight				EPC3000		EP3000		EPC3500	
29	Empty with minimum weight battery (36V)	lb	kg	6,601	2,994	6,537	2,965	6,964	3,159
	Empty with minimum weight battery (48V)	lb	kg	6,597	2,992	6,503	2,950	6,906	3,133
30	Axle load – with rated load – front / rear (36V)	lb	kg	8,807 / 1,321	3,995 / 599	8,891 / 1,173	4,033 / 532	9,729 / 1,204	4,413 / 546
	Axle load – with rated load – front / rear (48V)	lb	kg	8,542 / 1,155	3,967 / 625	8,372 / 1,231	3,998 / 552	9,149 / 1,247	4,300 / 632
	Axle load – without rated load – front / rear (36V)	lb	kg	3,003 / 3,598	1,362 / 1,632	3,250 / 3,287	1,474 / 1,491	3,084 / 3,880	1,399 / 1,760
	Axle load – without rated load – front / rear (36V)	lb	kg	2,999 / 3,598	1,360 / 1,632	3,235 / 3,268	1,467 / 1,482	3,012 / 3,894	1,366 / 1,766
Chassis				EPC3000		EP3000		EPC3500	
31	Tire size – front, standard solid pneumatic tires	in		18 x 7 - 8		18 x 7 - 8		200 / 50 - 10	
	Tire size – rear solid pneumatic tires	in		16 x 6 - 8		16 x 6 - 8		16 x 6 - 8	
32	Wheelbase	in	mm	55.1	1,400	59.4	1,508	55.1	1,400
33	Tread width – front, standard solid pneumatic tires	in	mm	35.6	904	35.6	904	36.0	914
34	Tread width – rear solid pneumatic tires	in	mm	32.7	830	32.7	830	32.7	830
35	Ground clearance at lowest point at mast	in	mm	3.1	80	3.1	80	3.1	80
36	Ground clearance at center of wheelbase	in	mm	3.9	100	3.9	100	3.9	100
37	Service brake	type		electric / mechanical		electric / mechanical		electric / mechanical	
38	Parking brake	type		electromagnetic		electromagnetic		electromagnetic	
Powertrain				EPC3000		EP3000		EPC3500	
39	Battery type			lead - acid		lead - acid		lead - acid	
	Battery dimensions (length x width x height)	in		24.80 x 32.68 x 24.69		29.06 x 32.68 x 24.69		24.80 x 32.68 x 24.69	
41	Maximum capacity at 6 hr. discharge rate (36V)	Ah	kWh	595	21.4	680	24.5	595	21.4
	Maximum capacity at 6 hr. discharge rate (48V)	Ah	kWh	500	24.0	600	28.8	500	24.0
42	Battery weight, minimum (36V)	lb	kg	1,885	855	2,260	1,025	1,885	855
	Battery weight, minimum (48V)	lb	kg	1,791	812	2,147	974	1,791	812
43	Traction output (60 min. rating) x 2 (36V)	HP	kW	6.8	5	6.8	5	6.8	5
	Traction output (60 min. rating) x 2 (48V)	HP	kW	6.0	4.5	6.0	4.5	6.0	4.5
44	Lift output (15% rating)	HP	kW	15.4	11.5	15.4	11.5	15.4	11.5
45	Drive controls	type		Impulse / AC		Impulse / AC		Impulse / AC	
46	Hydraulic controls	type		AC		AC		AC	
47	Relief pressure – for attachments at auxiliary	psi	bar	2,900	200	2,900	200	2,900	200
48	Noise level – mean value at operator's ear	dB(A)		67		67		67	

NOTE: These specifications assume the use of drive axles, tires and tilt angles specified. Any modification to specifications, or any other combination of specifications made after the shipment of the truck, requires prior written approval from Mitsubishi Caterpillar Forklift America Inc. (MCFI). (See ANSI/ITSD B56.1.) Also be advised that overall operating visibility may be affected by the mast configuration and mast options of your lift truck. Therefore, you may need to add ancillary [auxiliary] devices or modify your operating practices. Consult your dealer for further information.

Call-out numbers shown in the diagram correspond to the first column of the specifications chart.

EP3500		EP4000		
1	3,516	1,800	3,907	2,000
2	24	500	24	500
3	electric		electric	
4	solid pneumatic		solid pneumatic	
5	2x/2		2x/2	
EP3500		EP4000		
11	118	3,000	118	3,000
12	5.9	150	5.9	150
13	1.6 x 3.9 x 45.3	40 x 100 x 1,150	1.6 x 3.9 x 45.3	40 x 100 x 1,150
	12.3/36	312/914	12.3/36	312/914
14	7/6		7/6	
15	82.6	2,098	82.6	2,098
16	44.1	1,120	44.1	1,120
17	n/a		n/a	
17	79	2,000	79	2,000
18	36.2	920	36.2	920
19	80.4	2,040	80.4	2,040
20	166	4,216	166	4,216
21	78.1	1,985	78.1	1,985
22	14.3	364	14.3	364
	13.4 ¹⁾	340	13.4 ¹⁾	340
23	91.5 ¹⁾	2,325	91.5 ¹⁾	2,325
EP3500		EP4000		
24	9.3 / 9.9	15 / 16	9.3 / 9.9	15 / 16
	10.6 / 10.6	170 / 170	10.6 / 10.6	170 / 170
25	72.8 / 108.3	0.37 / 0.55	65.0 / 108.3	0.33 / 0.55
	86.6 / 108.3	0.44 / 0.55	78.7 / 108.3	0.40 / 0.55
26	108.3 / 108.3	0.55 / 0.55	108.3 / 108.3	0.55 / 0.55
	108.3 / 108.3	0.55 / 0.55	108.3 / 108.3	0.55 / 0.55
28	18 / 20		18 / 20	
	25 / 35		24 / 35	
EP3500		EP4000		
29	6,900	3,130	7,253	3,290
	6,812	3,090	7,175	3,255
30	9,782 / 1,087	4,437 / 493	10,479 / 1,184	4,753 / 537
	9,063 / 1,239	4,322 / 568	9,667 / 1,388	4,631 / 624
	3,333 / 3,567	1,512 / 1,618	3,314 / 3,940	1,503 / 1,787
	3,251 / 3,561	1,475 / 1,615	3,232 / 3,943	1,466 / 1,789
EP3500		EP4000		
31	200 / 50 - 10		200 / 50 - 10	
	16 x 6 - 8		16 x 6 - 8	
32	59.4	1,508	59.4	1,508
33	36.0	914	36.0	914
34	32.7	830	32.7	830
35	3.1	80	3.1	80
36	3.9	100	3.9	100
37	electric / mechanical		electric / mechanical	
38	electromagnetic		electromagnetic	
EP3500		EP4000		
39	lead - acid		lead - acid	
	29.06 x 32.68 x 24.69		29.06 x 32.68 x 24.69	
41	680	24.5	680	24.5
	600	28.8	600	28.8
42	2,260	1,025	2,260	1,025
	2,147	974	2,147	974
43	6.8	5	6.8	5
	6.0	4.5	6.0	4.5
44	15.4	11.5	15.4	11.5
45	Impulse / AC		Impulse / AC	
46	AC		AC	
47	2,900	200	2,900	200
48	67		67	



Safety Standards

These trucks meet American National Standards Institute/ Industrial Truck Standards Development Foundation, ANSI/ITSDF B56.1. Users should be aware of, and adhere to, applicable codes and regulations regarding operator training, use, operation and maintenance of powered industrial trucks, including:

- ANSI/ITSDF B56.1.
- NFPA 505, fire safety standard for powered industrial trucks - type designations, areas of use, maintenance, and operation.
- Occupational Safety and Health Administration (OSHA) regulations that may apply.

Specifications, equipment, technical data, photos and illustrations based on information at time of printing and subject to change without notice. Some products may be shown with optional equipment.

1) Add 1.0" (25mm) if truck is equipped with a triplex mast; Add an additional 0.9" (23mm) if equipped with an integrated sideshifter, or an additional 2.4" (60mm) if equipped with a hang-on sideshifter.



Your Cat lift truck dealer can provide additional options and features to specialize your lift truck for your unique application. Operator training and custom financing programs are also available to help find the right fit for your business.

Helping move businesses forward – that's how we're built.

1-800-CAT-LIFT | www.mcfa.com/cat

© 2019 MCFA. All Rights Reserved. CAT, CATERPILLAR, their respective logos, "Caterpillar Yellow," the "Power Edge" trade dress as well as corporate and product identity used herein, are trademarks of Caterpillar and may not be used without permission. All registered trademarks are the property of their respective owners.

Some products may be shown with optional equipment.

CECM0204-01

09/19

