

# 600AJ

## ARTICULATING BOOM LIFT



### Performance

Platform Height	60 ft 7 in.	18.47 m
Horizontal Outreach	39 ft 9 in.	12.10 m
Up and Over Clearance	26 ft 7 in.	8.1 m
Swing	360 Degrees Continuous	
Platform Capacity	500 lb	227 kg
Platform Rotator	180 Degrees Hydraulic	
Jib Range of Articulation	130 Degrees (+70, -60)	
Weight		
600AJ	22,691 lb	10,292 kg
600AJ Narrow	24,200 lb	10,977 kg
Max. Ground Bearing Pressure		
600AJ	75 psi	5.25 kg/cm2
600AJ Narrow	94 psi	6.6 kg/cm2
Drive Speed 2WD	4.25 mph	6.8 kph
Drive Speed 4WD	4.25 mph	6.8 kph
Gradeability 2WD	30%	
Gradeability 4WD	45%	
Tilt Cut Out	4 Degrees	
Axle Oscillation	8 in. 0.2 m	
Turning Radius Inside/Outside		
2WS	10 ft. 11 in./17 ft. 7 in.	3.33 m/5.36 m
4WS	5 ft. 6 in./11 ft. 8 in.	1.68 m/3.56 m
Narrow Models		
4WS	5 ft. 7 in./11 ft. 2 in.	1.7 m/3.4 m

### Standard Specifications

#### Power Source

Dual Fuel Engine		
Ford MSG425	84 hp	62 kw
Diesel Engine		
Deutz D2.9L4 Tier 4 Final	49 hp	36.4 kw
Fuel Tank Capacity	30 gal.	113.6 L

#### Hydraulic System

Capacity	30.6 gal.	115.8 L
Auxiliary Power	12V DC	

#### Tires

Standard	IN355/55D-6.25 Foam Filled
Narrow Models	36x14-20 Solid Tires

### Standard Features

- Oscillating Axle
- 180 Degree Hydraulic Platform Rotator
- 110V-AC Receptacle in the Platform
- 4 Degree Tilt Alarm/Indicator Light
- Swing-Out Engine Tray
- 12V-DC Auxiliary Power
- Hourmeter
- Horn
- Control ADE® System
- Proportional Controls
- Gull-Wing Engine Hood
- Platform Console Machine
- Status Light Panel\*
- Lifting/Tie Down Lugs
- All Motion Alarm
- Glow Plugs (Diesel Engines)
- Load Sensing System
- SkyGuard SkyLine™



### Accessories & Options

- Platform: 36 x 72 in. (0.91 x 1.83 m)
- Fall Arrest Platform, Rear Entry: 36 x 96 in. (0.91 x 2.44 m)
- Self-Closing Gate
- SkySense™
- Soft Touch System
- Operator Tool Tray
- 43.5 lb (19.7 kg) Propane Tank
- Cold Weather Start Kit<sup>1</sup>
- Hostile Environment Kit<sup>2</sup>
- Light Package<sup>3</sup>
- Flashing Amber Beacon
- Arctic Package<sup>4</sup>
- Accessory Packages:
  - SkyPower®
  - SkyWelder®

\* Provides indicator lights at platform control console for system distress, 5 degree tilt light, and foot switch status.

- Includes glow plugs (Diesel), battery heater, oil tank heater.
- Includes console cover, boom wipers and cylinder bellows.
- Includes head and tail lights, platform worklights and beacon.
- Includes arctic hydraulic hoses (drive and steer only) and main boom cable, arctic hydraulic oil, extreme cold engine oil, fuel conditioner, engine block heater, battery blanket, glow plugs, hydraulic tank heater, and oversized footswitch.

Note: Some options may increase lead time, and some option combinations may not be available.

Additional accessories and options available via JLG Aftermarket.

# 600AJ

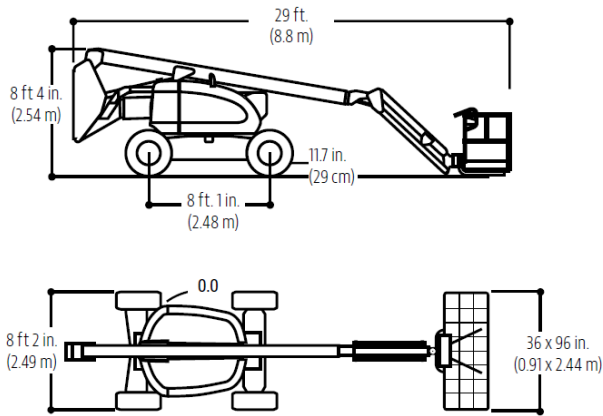
ARTICULATING BOOM LIFT



## Dimensions

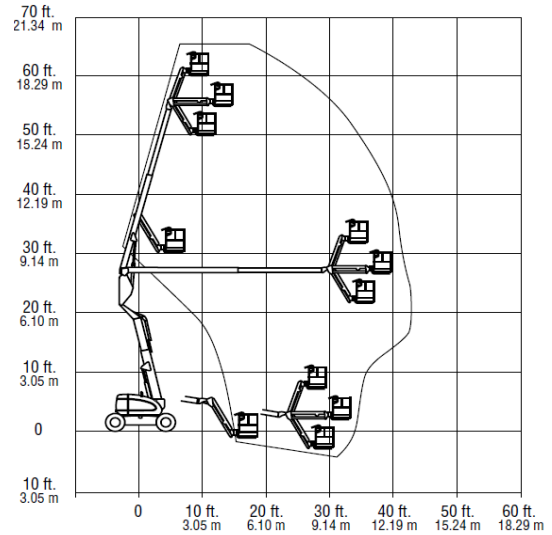
All dimensions are approximate.

### 600AJ



## Reach Diagram

### 600AJ



## The JLG "1 & 5" Warranty

We provide coverage for one (1) full year, and cover all specified major structural components for five (5) years. Due to continuous product improvements, we reserve the right to make specification and/or equipment changes without prior notification. This machine meets or exceeds applicable ANSI and CSA requirements based on machine configuration as originally manufactured for intended applications. Please reference the serial number plate on the machine for additional information.

Part No.: 3131120  
 R1219\_A92.20  
 Printed in USA



**JLG Industries, Inc.**  
 1 JLG Drive  
 McCConnellsburg, PA 17233-9533  
 Telephone 717-485-5161  
 Toll-free in US 877-JLG-LIFT  
 Fax 717-485-6417  
[www.jlg.com](http://www.jlg.com)

**An Oshkosh Corporation Company**