

600AJ

ARTICULATING BOOM LIFT



Performance

| | | |
|-------------------------------|----------------------------|---------------|
| Platform Height | 60 ft 7 in. | 18.47 m |
| Horizontal Outreach | 39 ft 9 in. | 12.10 m |
| Up and Over Clearance | 26 ft 7 in. | 8.1 m |
| Swing | 360 Degrees Continuous | |
| Platform Capacity | 500 lb | 227 kg |
| Platform Rotator | 180 Degrees Hydraulic | |
| Jib Range of Articulation | 130 Degrees (+70, -60) | |
| Weight | | |
| 600AJ | 22,691 lb | 10,292 kg |
| 600AJ Narrow | 24,200 lb | 10,977 kg |
| Max. Ground Bearing Pressure | | |
| 600AJ | 75 psi | 5.25 kg/cm2 |
| 600AJ Narrow | 94 psi | 6.6 kg/cm2 |
| Drive Speed 2WD | 4.25 mph | 6.8 kph |
| Drive Speed 4WD | 4.25 mph | 6.8 kph |
| Gradeability 2WD | 30% | |
| Gradeability 4WD | 45% | |
| Tilt Cut Out | 4 Degrees | |
| Axle Oscillation | 8 in. 0.2 m | |
| Turning Radius Inside/Outside | | |
| 2WS | 10 ft. 11 in./17 ft. 7 in. | 3.33 m/5.36 m |
| 4WS | 5 ft. 6 in./11 ft. 8 in. | 1.68 m/3.56 m |
| Narrow Models | | |
| 4WS | 5 ft. 7 in./11 ft. 2 in. | 1.7 m/3.4 m |

Standard Specifications

Power Source

| | | |
|---------------------------|---------|---------|
| Dual Fuel Engine | | |
| Ford MSG425 | 84 hp | 62 kw |
| Diesel Engine | | |
| Deutz D2.9L4 Tier 4 Final | 49 hp | 36.4 kw |
| Fuel Tank Capacity | 30 gal. | 113.6 L |

Hydraulic System

| | | |
|-------------------|-----------|---------|
| • Capacity | 30.6 gal. | 115.8 L |
| • Auxiliary Power | 12V DC | |

Tires

| | |
|-----------------|----------------------------|
| • Standard | IN355/55D-6.25 Foam Filled |
| • Narrow Models | 36x14-20 Solid Tires |

Standard Features

- Oscillating Axle
- 180 Degree Hydraulic Platform Rotator
- 110V-AC Receptacle in the Platform
- 4 Degree Tilt Alarm/Indicator Light
- Swing-Out Engine Tray
- 12V-DC Auxiliary Power
- Hourmeter
- Horn
- Control ADE® System
- Proportional Controls
- Gull-Wing Engine Hood
- Platform Console Machine
- Status Light Panel*
- Lifting/Tie Down Lugs
- All Motion Alarm
- Glow Plugs (Diesel Engines)
- Load Sensing System
- SkyGuard SkyLine™



Accessories & Options

- Platform: 36 x 72 in. (0.91 x 1.83 m)
- Fall Arrest Platform, Rear Entry: 36 x 96 in. (0.91 x 2.44 m)
- Self-Closing Gate
- SkySense™
- Soft Touch System
- Operator Tool Tray
- 43.5 lb (19.7 kg) Propane Tank
- Cold Weather Start Kit¹
- Hostile Environment Kit²
- Light Package³
- Flashing Amber Beacon
- Arctic Package⁴
- Accessory Packages:
 - SkyPower®
 - SkyWelder®

* Provides indicator lights at platform control console for system distress, 5 degree tilt light, and foot switch status.

1. Includes glow plugs (Diesel), battery heater, oil tank heater.

2. Includes console cover, boom wipers and cylinder bellows.

3. Includes head and tail lights, platform worklights and beacon.

4. Includes arctic hydraulic hoses (drive and steer only) and main boom cable, arctic hydraulic oil, extreme cold engine oil, fuel conditioner, engine block heater, battery blanket, glow plugs, hydraulic tank heater, and oversized footswitch.

Note: Some options may increase lead time, and some option combinations may not be available.

Additional accessories and options available via JLG Aftermarket.

600AJ

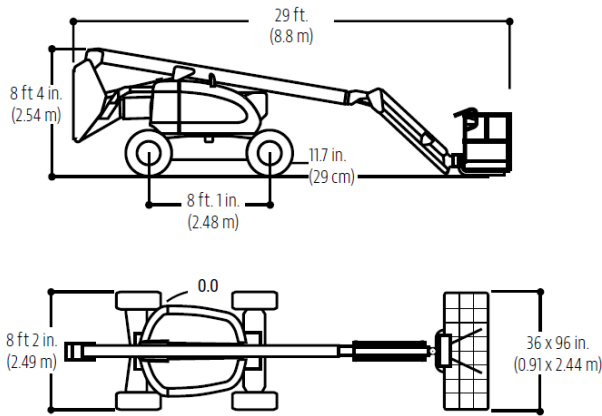
ARTICULATING BOOM LIFT



Dimensions

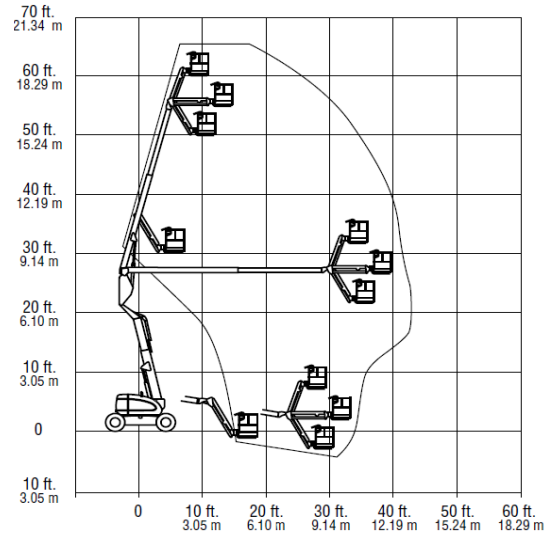
All dimensions are approximate.

600AJ



Reach Diagram

600AJ



The JLG "1 & 5" Warranty

We provide coverage for one (1) full year, and cover all specified major structural components for five (5) years. Due to continuous product improvements, we reserve the right to make specification and/or equipment changes without prior notification. This machine meets or exceeds applicable ANSI and CSA requirements based on machine configuration as originally manufactured for intended applications. Please reference the serial number plate on the machine for additional information.

Part No.: 3131120
 R1219_A92.20
 Printed in USA



JLG Industries, Inc.
 1 JLG Drive
 McCConnellsburg, PA 17233-9533
 Telephone 717-485-5161
 Toll-free in US 877-JLG-LIFT
 Fax 717-485-6417
www.jlg.com

An Oshkosh Corporation Company