

# 1930ES/2032ES

ELECTRIC SCISSOR LIFTS (A92.6)



## Performance

Platform Height–Elevated		
1930ES	18 ft 9 in.	5.72 m
2032ES	20 ft	6.10 m
Platform Capacity		
1930ES	500 lb	227 kg
2032ES	800 lb	363 kg
Capacity on Platform Extension	250 lb	113 kg
Lift/Lower Time		
1930ES	26/30 seconds	
2032ES	28/40 seconds	
Maximum Drive Height	Fully Elevated	
Weight*		
1930ES	2,710 lb	1,229 kg
2032ES	3,610 lb	1,638 kg
Ground Bearing Pressure		
1930ES	109 psi	7.66 kg/cm <sup>2</sup>
2032ES	81 psi	5.69 kg/cm <sup>2</sup>
Drive Speed–Elevated	0.5 mph	0.8 km/h
Drive Speed–Lowered		
1930ES	3.0 mph	4.82 km/h
2032ES	2.75 mph	4.43 km/h
Gradeability	25%	
Turning Radius (Inside)	Zero	
Turning Radius (Outside)		
1930ES	69 in.	1.75 m
2032ES	81 in.	2.06 m

\* Certain options or country standards will increase weight.

## Standard Specifications

### Power Source

Batteries	4x6V, 220 amp-hr	
Charger	20 Amp Automatic	
Drive	24V Electric	8hp

### Hydraulic Reservoir

• Capacity	1.25 gal.	4.73 L
• Pump	Fixed Displacement Gear	

### Tires

• Tire Size/Type	12.5 x 4 in. Non-Marking Solid
------------------	--------------------------------

### Brakes

- Electric/Friction



## Standard Features

- Proportional Controls
- Industry Leading Duty Cycles
- Battery Condition Indicator
- Fold-Down Guard Rails
- 110V-AC Receptacle in Platform
- Slide-Out Battery Trays
- Automatic Traction Control (ATC)
- All Motion Alarm
- 20 Amp Automatic SCR Charger
- Horn
- Hourmeter
- Manual Descent Pull Cable
- Tilt Alarm and Light
- Lanyard Attach Points
- Movable, Removable Platform Control
- Powder-Coated
- Console with Rail Mounting Bracket
- Nickel Plated Pins
- Lubrication Free Scissor Arm Bushings
- Scissor Maintenance Prop
- Mechanized Pothole Protection
- Machine Tie Downs
- Fork Lift Pockets
- 36 in. (91 cm) Roll-Out Deck Extension
- Four 6V, 220 Amp-Hour Deep Cycle Batteries

## Accessories & Options

- Spring-Loaded Gate
- Flashing Amber Beacon
- 900W Inverter
- Lifting Lugs
- UL® EE Rating<sup>1</sup>
- Platform Padding
- Platform Padding with Proximity Switches
- 220 Amp-Hour AGM Batteries<sup>2</sup>
- Special Hydraulic Oils
- Accessory Packages:
  - Electrician's Package
  - Plumber's Package
  - JLG® Workstation
  - Plant Maintenance Package

1. Not available with AGM Batteries. 2. Not available on EE rated units.

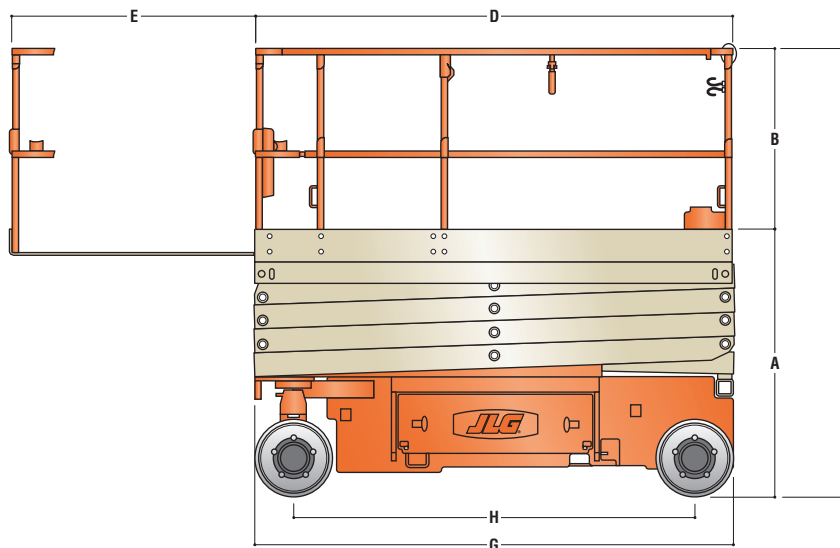
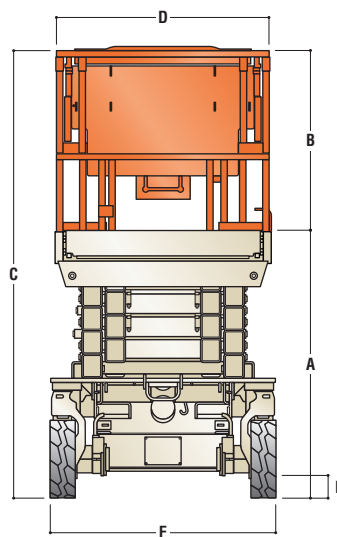
# 1930ES/2032ES

ELECTRIC SCISSOR LIFT (A92.6)



## Dimensions

All dimensions are approximate.



A. Platform Height—Lowered		
1930ES	34 in.	0.86 m
2032ES	43.5 in.	1.10 m
B. Platform Railing Height		
ES Series	43.3 in.	1.10 m
C. Overall Height—Rails Lowered		
1930ES	N/A	
2032ES	5 ft 11.5 in.	1.80 m
D. Platform Size		
1930ES	30 x 73.5 in.	0.76 x 1.87 m
2032ES	30 x 90.5 in.	0.76 x 2.3 m

E. Platform Extension		
1930ES/2032ES	35.5 in.	0.9 m
F. Overall Width		
1930ES	30 in.	76 cm
2032ES	32 in.	81 cm
G. Overall Length		
1930ES	6 ft 1.5 in.	1.87 m
2032ES	7 ft 6.5 in.	2.3 m
H. Wheelbase		
1930ES	5 ft 3 in.	1.6 m
2032ES	6 ft 2 in.	1.88 m
I. Ground Clearance		
1930ES/2032ES	3.5 in.	8.8 cm

## The JLG "1 & 5" Warranty

We provide coverage for one (1) full year, and cover all specified major structural components for five (5) years. Due to continuous product improvements, we reserve the right to make specification and/or equipment changes without prior notification. This machine meets or exceeds applicable ANSI and CSA requirements based on machine configuration as originally manufactured for intended applications. Please reference the serial number plate on the machine for additional information.

Part No.: 3131580\_1930/2032ES ONLY  
RT119\_A92.6  
Printed in USA



JLG Industries, Inc.  
1 JLG Drive  
McCconnellsburg, PA 17233-9533  
Telephone 717-485-5161  
Toll-free in US 877-JLG-LIFT  
Fax 717-485-6417  
[www.jlg.com](http://www.jlg.com)

An Oshkosh Corporation Company